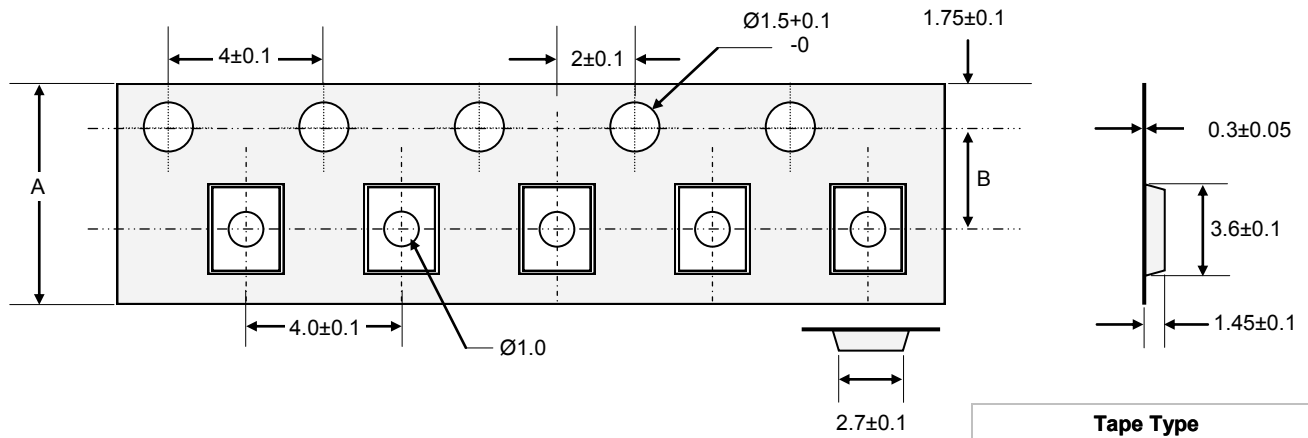
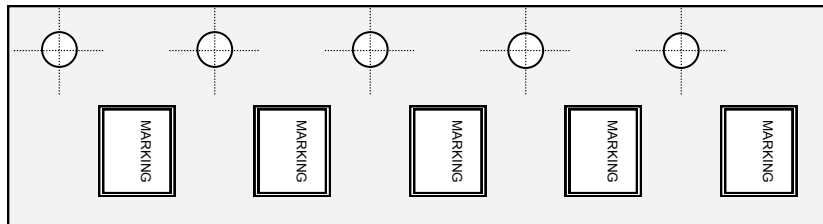


► **Tape (Carrier) Dimensions**

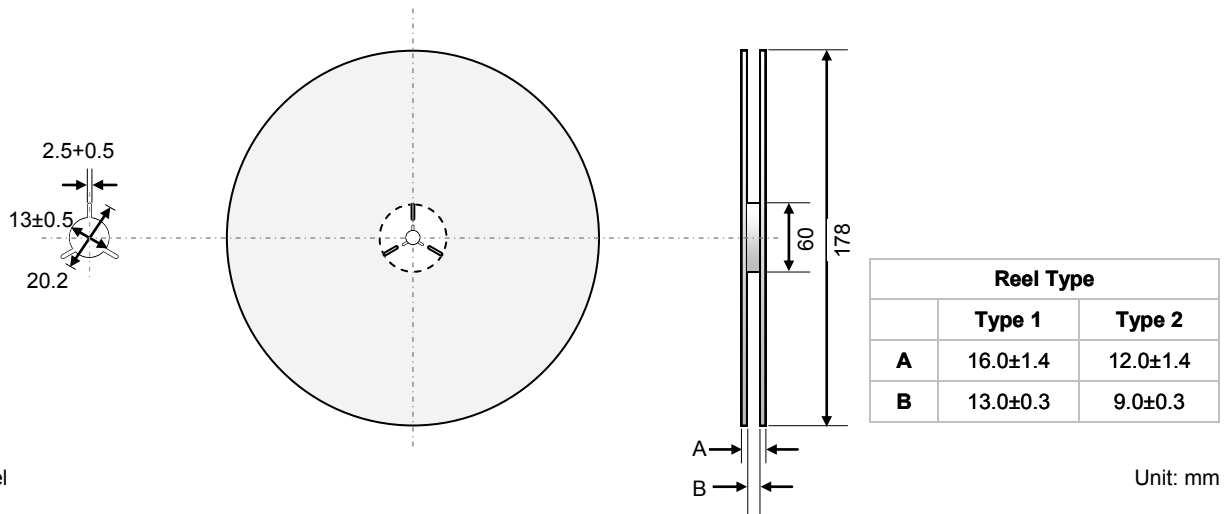


Tape Type		
	Type 1	Type 2
A	12	8
B	5.5 ± 0.05	3.5 ± 0.05

► **The Direction of Packing**



► **Reel Dimensions**



Reel Type		
	Type 1	Type 2
A	16.0 ± 1.4	12.0 ± 1.4
B	13.0 ± 0.3	9.0 ± 0.3

** Q'ty: 3000pcs/reel

Unit: mm