

DUAL FREQUENCY OUTPUT CERAMIC SMD VCXO (7.0 x 5.0mm)
FEATURES

- Designed specifically for Digital Video application
- 2 user-selectable output frequencies: 74.1758MHz, 74.250MHz
- High reliability and low aging
- Available CMOS, LVDS, and LVPECL outputs
- 3.3V and 2.5V supply options

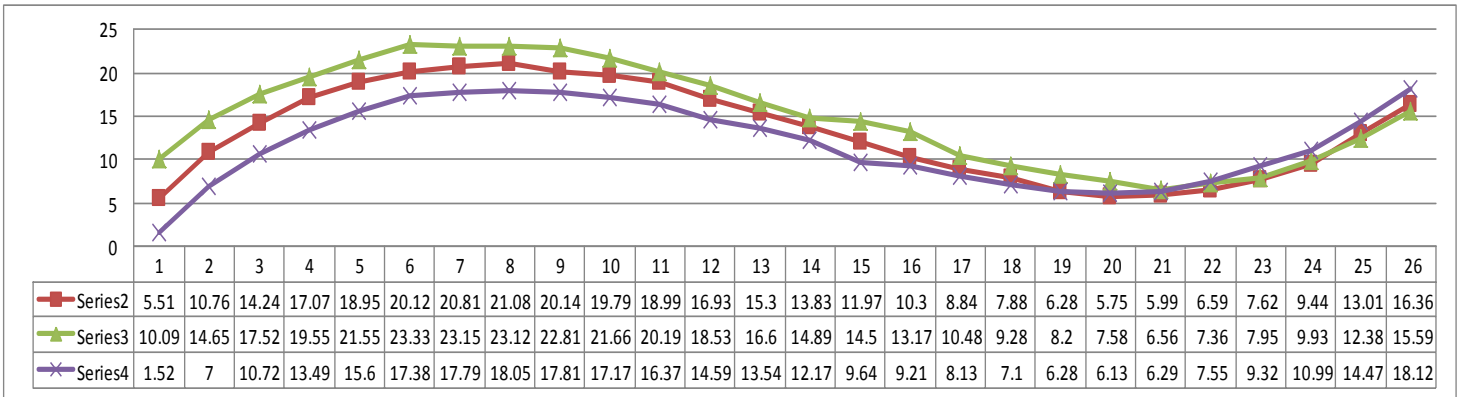

■ SPECIFICATION

PARAMETER		MIN.	TYP.	MAX.	UNIT	NOTE	
FREQUENCY		74.1758MHz, 74.250MHz					
FREQUENCY STABILITY		±10*	±50	±100	ppm	See P/N guide for other options	
OPERATING TEMPERATURE RANGE		-40		85	°C	See P/N guide for other options	
STORAGE TEMPERATURE RANGE		-55		125	°C		
SUPPLY VOLTAGE ±10%		$V_{DD} = 2.5V_{DC}$	2.375	2.500	2.625	V	
		$V_{DD} = 3.3V_{DC}$	2.970	3.300	3.630	V	
SUPPLY CURRENT		CMOS		20	45	mA	
		LVDS		23	45	mA	$(V_{DD} = 2.5V_{DC}, 3.3V_{DC})$
		LVPECL		54	60	mA	
OUTPUT	LOAD	CMOS		15		pF	
		LVDS		100		Ω	Output - Complementary Output
		LVPECL		50		Ω	into $V_{DD} - 2V_{DC}$
	LEVEL	CMOS (V_{OH})	$0.9 \times V_{DD}$				V
		CMOS (V_{OL})			$0.1 \times V_{DD}$		V
		LVDS (V_{OH})		1.4	1.6		V
		LVDS (V_{OL})	0.9	1.1			V
		LVPECL (V_{OH})	$V_{DD} - 1.03V$			$V_{DD} - 0.60V$	V
		LVPECL (V_{OL})	$V_{DD} - 1.85V$			$V_{DD} - 1.62V$	V
	SYMMETRY (DUTY CYCLE)	CMOS	45		55		%
		LVDS	45		55		%
		LVPECL	45		55		%
	RISE AND FALL TIME (T_r/T_f)	CMOS		1.0	3.0		nS
		LVDS		0.25	0.6		nS
		LVPECL		0.25	0.6		nS
START-UP TIME			2.0	3.0		mS	
STAND-BY VOLTAGE		ENABLE (V_{IH})	$0.7 \times V_{DD}$			V	
		DISABLE (V_{IL})			$0.3 \times V_{DD}$	V	
ENABLE DELAY TIME				100		nS	
DISABLE DELAY TIME				100		nS	
FREQUENCY DEVIATION		±50				ppm	
CONTROL VOLTAGE		0.00		V_{DD}		V	
CONTROL PORT BANDWIDTH		10				MHz	
SLOPE		Positive					
LINEARITY				10		%	
MODULATION BANDWIDTH		10				kHz	
INPUT IMPEDANCE		100				kΩ	
AGING		per 1year			±3.0	ppm	
		per 10years			±5.0	ppm	
PHASE JITTER RMS			0.60	1.50		pS	
PERIOD JITTER			2.0	3.0		pS	

* Available in selected operating temperature range

Transko Electronics, Inc reserves the right to make changes to the product (s), service (s), and specification (s) described herein without notice. See "Terms of Sale" for details on our website.

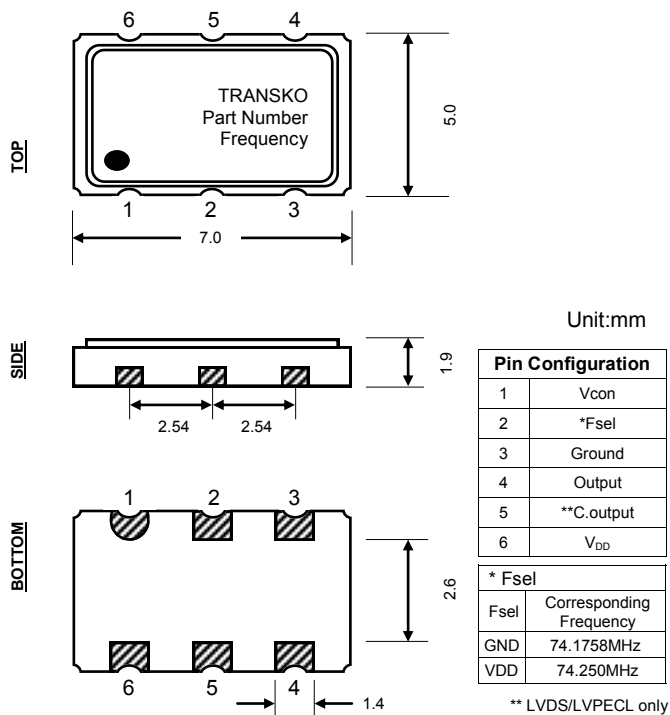
27MHz 3.3V VCXO Temperature Test Data (-40°C ~ 85°C)



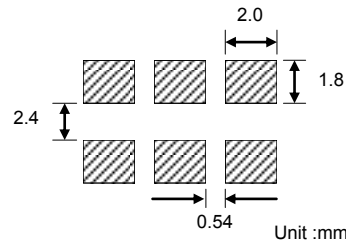
Phase Noise & RMS Jitter measurement

NO	10Hz	100Hz	1kHz	10kHz	100kHz	1MHz	5MHz	RMS Jitter
1	-80.6273	-112.688	-129.15	-137.313	-147.43	-155.45	-156.504	361.533 fsec
2	-61.0806	-97.5347	-128.019	-137.417	-147.984	-155.629	-154.72	349.765 fsec
3	-77.2813	-112.702	-127.812	-138.709	-149.653	-155.171	-154.144	346.426 fsec
Average	-72.9964	-107.642	-128.327	-137.813	-148.356	-155.416	-155.122	352.57 fsec

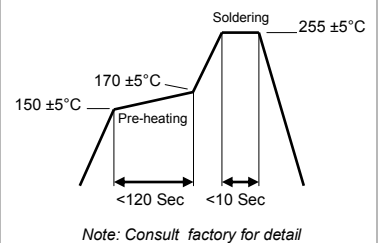
PACKAGE DIMENSIONS



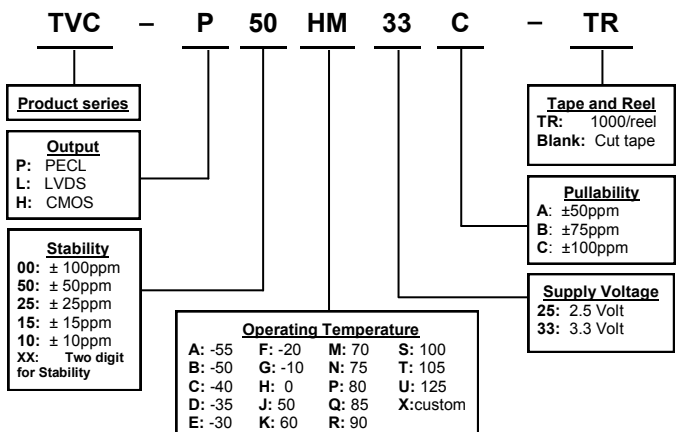
SOLDER PATTERN



REFLOW PROFILE



PART NUMBERING GUIDE



Transko Electronics, Inc reserves the right to make changes to the product (s), service (s), and specification (s) described herein without notice. See "Terms of Sale" for details on our website.