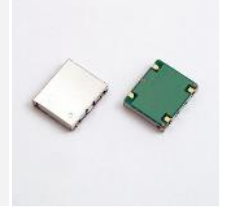


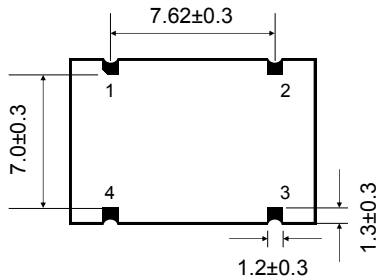
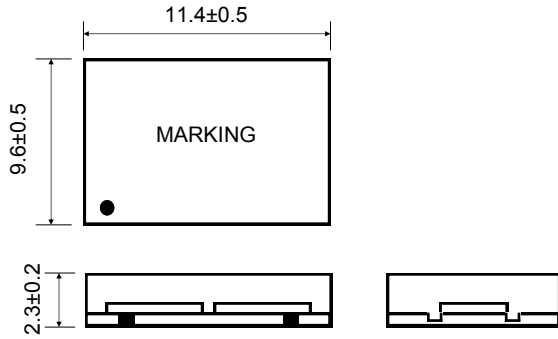
TCXO/VCTCXO 4PAD SMD (11.4 mm x 9.6 mm)
FEATURES:

- ULTRA LOW NOISE
- TIGHT STABILITY AVAILABLE
- STANDARD PACKAGE


■ SPECIFICATION

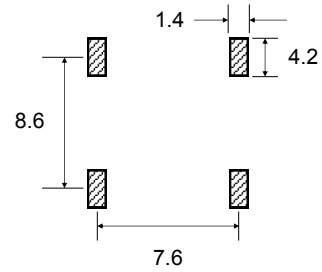
| PARAMETER | | MIN. | TYP. | MAX. | UNIT | NOTE | |
|-----------------------------|----------------------------|-------------------------|-----------------------|-----------------|-----------------------|---------------------------------|----------|
| FREQUENCY RANGE | | 10 | | 20 | MHz | | |
| FREQUENCY TOLERANCE | | | ±1.0 | | ppm | @ 25°C | |
| FREQUENCY STABILITY | vs. TEMPERATURE | | ±1.0 | | ppm | See P/N guide for other options | |
| | vs. LOAD ± 10% | | | ±0.1 | ppm | | |
| | vs. SUPPLY VOLTAGE ± 5% | | | ±0.1 | ppm | | |
| | vs. AGING | | | ±1.0 | ppm/year | @ 25°C | |
| OPERATING TEMPERATURE RANGE | | -40 | | 85 | °C | See P/N guide for other options | |
| STORAGE TEMPERATURE RANGE | | -55 | | 125 | °C | | |
| SUPPLY VOLTAGE ±5% | | 3.3 | | 5.0 | V | See P/N guide for other options | |
| SUPPLY CURRENT | CMOS | | | 15 | mA | | |
| | CSW | | | 4 | mA | | |
| OUTPUT | LOGIC FAMILY | | CMOS/CSW | | | | |
| | LOAD | CMOS | 15pF | | | | |
| | | CSW | 10kΩ//10pF | | | | |
| | LEVEL | CMOS (V _{OH}) | 0.9 x V _{DD} | | | V | |
| | | CMOS (V _{OL}) | | | 0.1 x V _{DD} | V | |
| | | CSW | 0.8 | | | V _{P-P} | |
| | SYMMETRY (DUTY CYCLE) | | 40 | | 60 | % | For CMOS |
| | RISE AND FALL TIME (Tr/Tf) | | | | 5 | nS | |
| FREQUENCY DEVIATION | | ±5 | | | ppm | | |
| CONTROL VOLTAGE | | 0 | | V _{DD} | V | | |
| LINEARITY | | | | 10 | % | | |
| PHASE NOISE | 10.000MHz | | -150 | | dBc/Hz | @ 1KHz offset | |
| | 20.000MHz | | -145 | | dBc/Hz | @ 1KHz offset | |

Transko Electronics, Inc reserves the right to make changes to the product (s), service (s), and specification (s) described herein without notice. See "Terms of Sale" for details on our website.

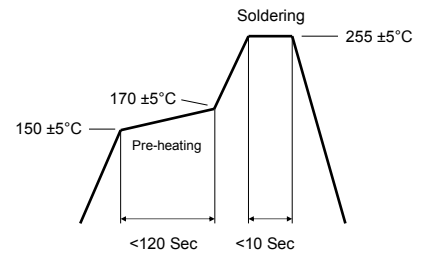
■ PACKAGE DIMENSIONS


Unit : mm

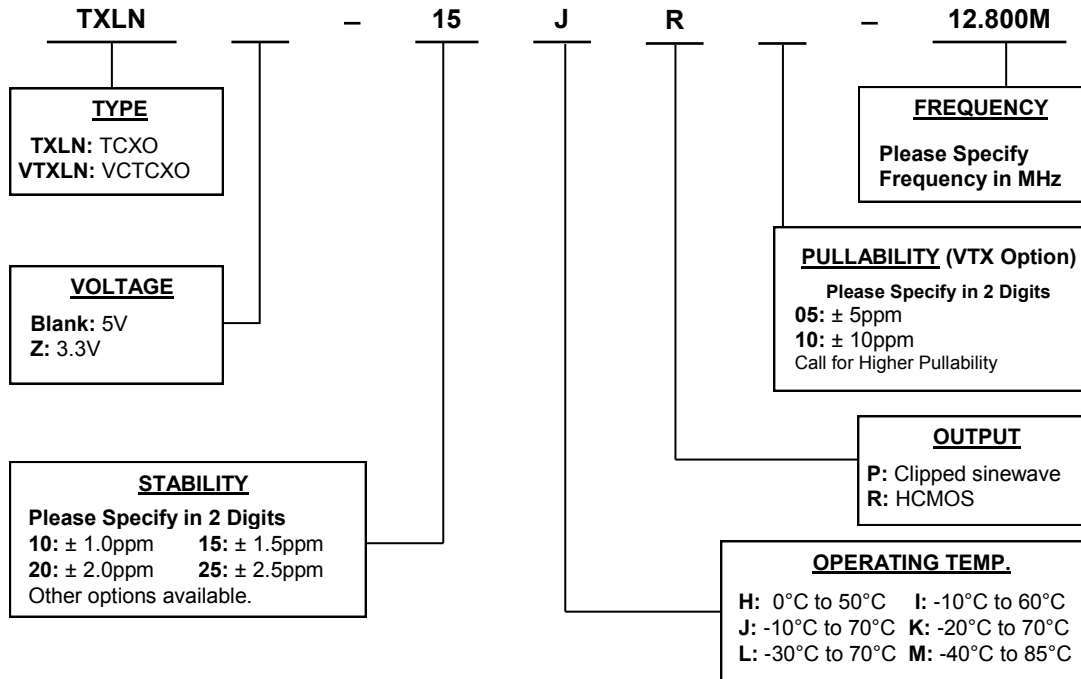
| Pin Connections | | |
|-----------------|-----------------|----------------|
| | TX | VTX |
| 1 | N.C. | V _C |
| 2 | Ground | |
| 3 | Output | |
| 4 | V _{DD} | |

■ SOLDER PATTERN


Unit : mm

■ REFLOW PROFILE


Note: Consult factory for detail

■ PART NUMBERING GUIDE


Transko Electronics, Inc reserves the right to make changes to the product (s), service (s), and specification (s) described herein without notice. See "Terms of Sale" for details on our website.

■ PHASE NOISE

