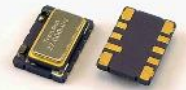


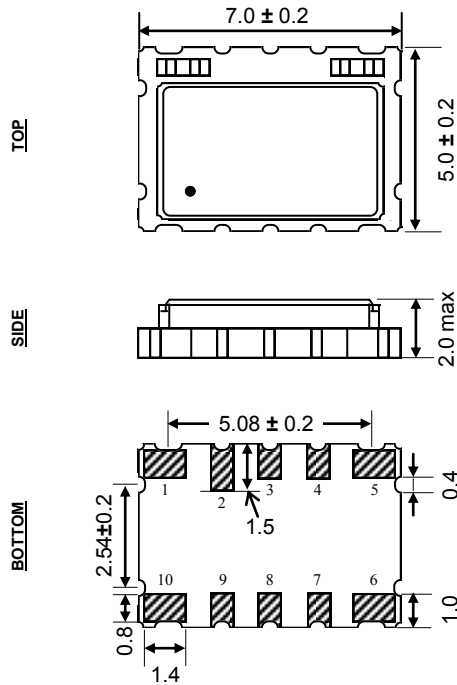
TCXO/VCTCXO MINIATURE CERAMIC SMD (7.0 x 5.0 x 2.0mm)
FEATURES:

- CMOS / CSW OUTPUT
- TIGHT STABILITY AVAILABLE UP TO ± 0.1 ppm
- SUITABLE FOR REFLOW


■ SPECIFICATION

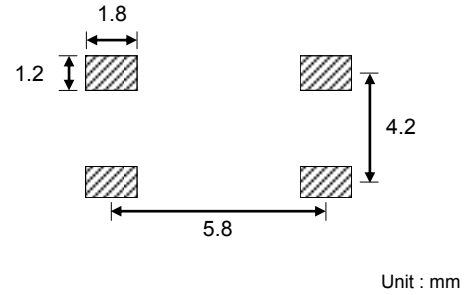
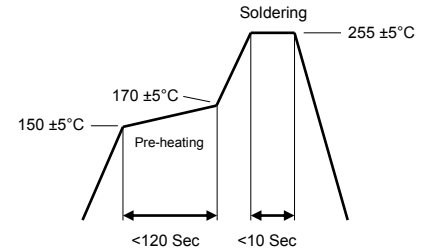
PARAMETER		MIN.	TYP.	MAX.	UNIT	NOTE
FREQUENCY RANGE		5*		50	MHz	* Contact Transko for low frequency
STANDARD FREQUENCIES		CMOS				
		5M, 6.4M, 8.192M, 10M, 12.5M, 12.8M, 16M, 16.384M, 19.44M, 25M				
		CSW				
		8.192M, 10M, 12.5M, 12.8M, 16M, 16.384M, 19.44M, 25M				
FREQUENCY TOLERANCE				± 2.0	ppm	
FREQUENCY STABILITY	vs. TEMPERATURE RANGE	± 0.1		± 2.5	ppm	See P/N guide for other options
	vs. LOAD $\pm 10\%$			± 0.2	ppm	
	vs. SUPPLY VOLTAGE $\pm 5\%$			± 0.2	ppm	
	vs. AGING			± 1.0	ppm/year	@ 25°C
OPERATING TEMPERATURE RANGE		-40		85	°C	See P/N guide for other options
STORAGE TEMPERATURE RANGE		-55		125	°C	
SUPPLY VOLTAGE $\pm 5\%$		3.3		5.0	V	See P/N guide for other options
SUPPLY CURRENT	5MHz $\leq f \leq$ 50MHz (CMOS)			6	mA	
	10MHz $\leq f <$ 15MHz (CSW)			1.5	mA	
	15MHz $\leq f <$ 26MHz (CSW)			2.0	mA	
	26MHz $\leq f \leq$ 50MHz (CSW)			3.5	mA	
LOGIC FAMILY		CMOS / CSW				
LOAD	CMOS		15pF			
	CSW		10k Ω //10pF			
OUTPUT LEVEL	CMOS (V _{OH})		0.9 x V _{DD}		V	
	CMOS (V _{OL})			0.1 x V _{DD}	V	
	CSW		0.8		V _{P-P}	
SYMMETRY (DUTY CYCLE)		45		55	%	CMOS only
RISE AND FALL TIME (Tr/Tf)			5	10	nS	CMOS only
START-UP TIME				2	mS	
FREQUENCY DEVIATION		± 5.0			ppm	
CONTROL VOLTAGE	3.3V		0.3	3.0	V	
	5.0V		0.5	4.5	V	
V _c INPUT IMPEDANCE		0.1			M Ω	
PHASE NOISE	100Hz			-120	dBc/Hz	@ 12.8MHz
	1kHz			-140	dBc/Hz	
	10kHz			-148	dBc/Hz	

Transko Electronics, Inc reserves the right to make changes to the product (s), service (s), and specification (s) described herein without notice. See "Terms of Sale" for details on our website.

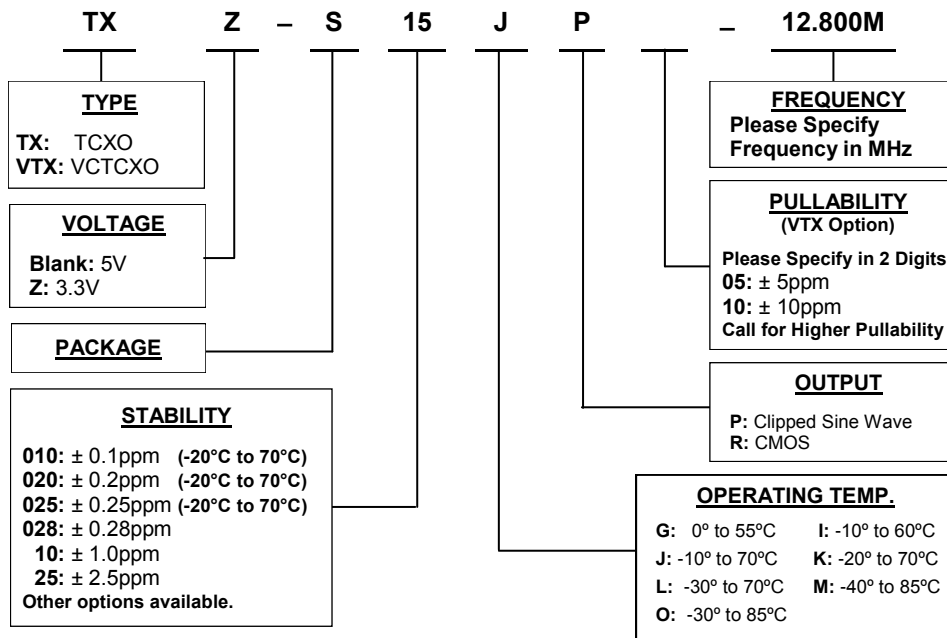
■ PACKAGE DIMENSIONS


Unit : mm

Pad Connections	
1	V _c :VCTCXO GND:TCXO
2	N.C.
3	N.C.
4	N.C.
5	GND
6	Output
7	N.C.
8	N.C.
9	En/Dis
10	V _{DD}

■ SOLDER PATTERN

■ REFLOW PROFILE


Note: Consult factory for detail

■ PART NUMBERING GUIDE


Transko Electronics, Inc reserves the right to make changes to the product (s), service (s), and specification (s) described herein without notice. See "Terms of Sale" for details on our website.