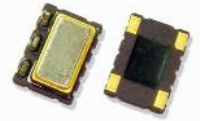


CERAMIC SMD TCXO / VCTCXO (7.0 x 5.0 x 1.9mm)
FEATURES

- FOR AUTOMATIC ASSEMBLY
- COMPACTNESS AND LIGHT WEIGHT
- LOW POWER CONSUMPTION

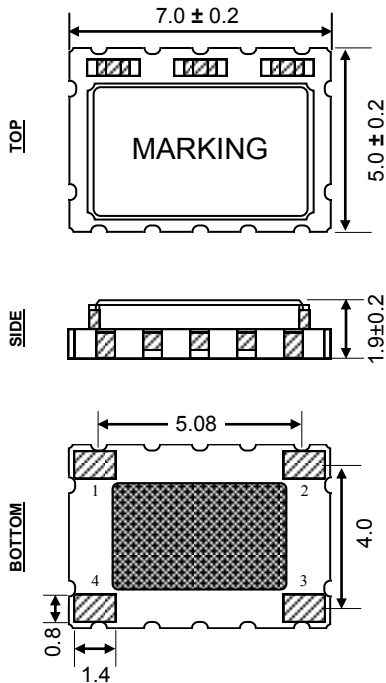
APPLICATION:

- Femtocell, Base Station
- WLAN/WiMAX/Wi-Fi, Wireless Communications
- Mobile Phone


■ SPECIFICATION

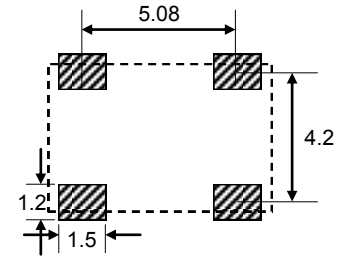
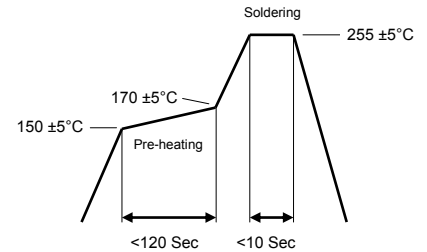
PARAMETER		MIN.	TYP.	MAX.	UNIT	NOTE	
FREQUENCY RANGE		5		52	MHz		
STANDARD FREQUENCIES	CMOS	5M, 6.4M, 8M, 8.192M, 10M, 12.5M, 12.8M, 16M, 16.384M, 19.44M, 25M, 26M, 40M					
	CSW	8M, 8.192M, 10M, 12.5M, 12.8M, 16M, 16.384M, 19.44M, 25M, 26M, 40M					
FREQUENCY TOLERANCE				±2.0	ppm		
FREQUENCY STABILITY	vs. TEMPERATURE RANGE	±0.5		±1.0	ppm	See P/N guide for other options	
	vs. LOAD ± 10%			±0.2	ppm		
	vs. SUPPLY VOLTAGE ± 5%			±0.1	ppm		
	vs. AGING			±1.0	ppm		
OPERATING TEMPERATURE RANGE		-40		85	°C	See P/N guide for other options	
STORAGE TEMPERATURE RANGE		-55		125	°C		
SUPPLY VOLTAGE ±5%		2.5		3.3	V		
SUPPLY CURRENT	CMOS			6	mA		
	CSW			3.5	mA		
OUTPUT	LOAD	CMOS	15pF				
		CSW	10kΩ//10pF				
	LEVEL	CMOS (V _{OH})	V _{DD} x 0.90			V	
		CMOS (V _{OL})			V _{DD} x 0.10	V	
		CSW	0.8			V _{P-P}	
	SYMMETRY (DUTY CYCLE)		45		55	%	For CMOS
	RISE AND FALL TIME (T _r /T _f)				10	nS	For CMOS
	START-UP TIME				2.0	mS	
FREQUENCY DEVIATION		±5.0		±12.0	ppm	See P/N guide for other options	
CONTROL VOLTAGE		0.5		2.5	V		
V _c INPUT IMPEDANCE		100			kΩ		
PHASE NOISE	100Hz		-115		dBc/Hz	@ 12.8MHz	
	1kHz		-135		dBc/Hz		
	10kHz		-148		dBc/Hz		

Transko Electronics, Inc reserves the right to make changes to the product (s), service (s), and specification (s) described herein without notice. See "Terms of Sale" for details on our website.

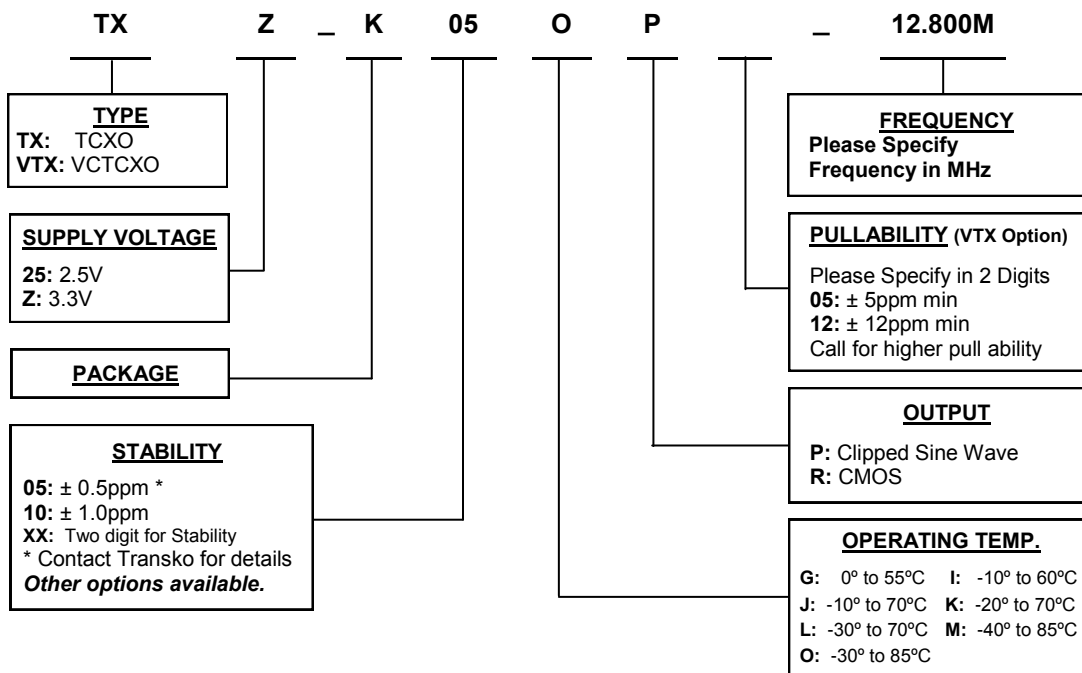
PACKAGE DIMENSIONS


Unit : mm

Pad Connections	
1	V _C : VCTCXO GND/NC:TCXO
2	GND
3	Output
4	V _{DD}

SOLDER PATTERN

REFLOW PROFILE


Note: Consult factory for detail

PART NUMBERING GUIDE


Transko Electronics, Inc reserves the right to make changes to the product (s), service (s), and specification (s) described herein without notice. See "Terms of Sale" for details on our website.