

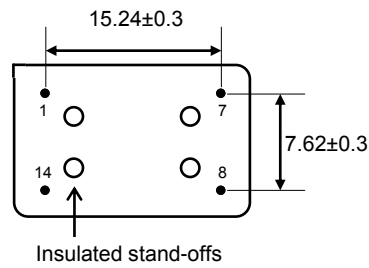
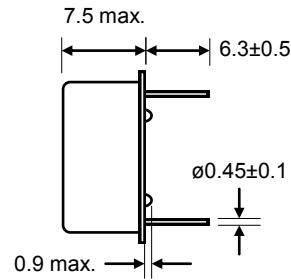
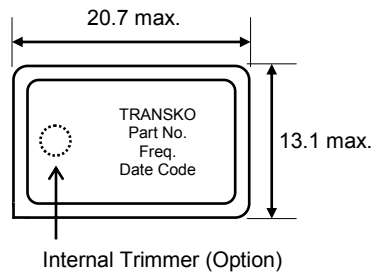
TCXO/VCTCXO FULL SIZE HERMETIC SEALED (20.7 x 13.1 x 7.5mm)
FEATURES:

- WIDE FREQUENCY RANGES
- TIGHT STABILITY AVAILABLE
- CMOS / TTL / CSW / SW


■ SPECIFICATION

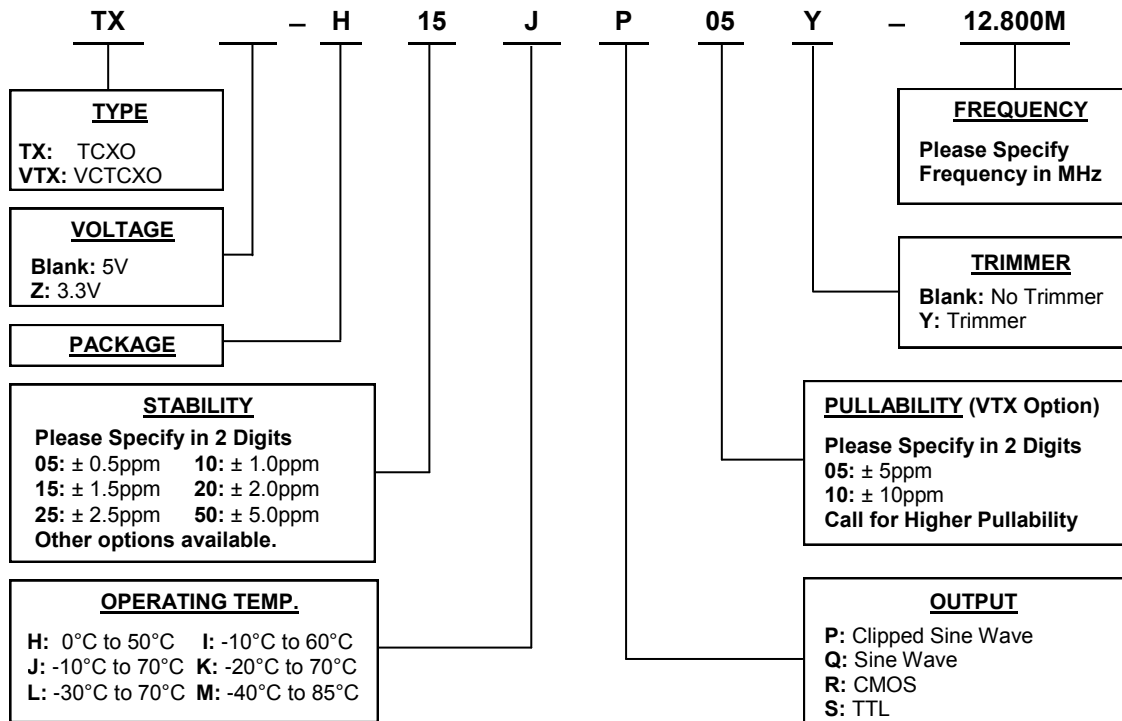
PARAMETER		MIN.	TYP.	MAX.	UNIT	NOTE	
FREQUENCY RANGE	CMOS / TTL	1K		800M	Hz		
	CSW / SW	6		190	MHz		
FREQUENCY STABILITY	vs. TEMPERATURE		±0.5		±5.0	ppm	See P/N guide for other options
	vs. LOAD ± 10%	CMOS / TTL			±0.2	ppm	
		CSW / SW			±0.2	ppm	
	vs. SUPPLY VOLTAGE ± 5%	CMOS / TTL		±0.1	±0.3	ppm	
		CSW / SW			±0.2	ppm	
vs. AGING				±1.0	ppm/year	@ 25°C	
OPERATING TEMPERATURE RANGE		-40		85	°C	See P/N guide for other options	
STORAGE TEMPERATURE RANGE		-55		125	°C		
SUPPLY VOLTAGE ±5%		3.3		5.0	V	See P/N guide for other options	
SUPPLY CURRENT	CMOS / TTL			50	mA	* CMOS / SW for VTX: 100mA max.	
	CSW / SW			30	mA		
OUTPUT	LOGIC FAMILY		CMOS / TTL / CSW / SW				
	LOAD	CMOS / TTL	15pF / 10TTL				
		CSW / SW	10kΩ//10pF / 50Ω				
	LEVEL	CMOS (V _{OH})	0.9 x V _{DD}			V	
		CMOS (V _{OL})			0.1 x V _{DD}	V	
		TTL (V _{OH})	2.4			V	
		TTL (V _{OL})			0.4	V	
		CSW (3.3V)	0.8			V _{P-P}	
		CSW (5.0V)	1.0			V _{P-P}	
		SW (3.3V)		0		dBm	
		SW (5.0V)		10		dBm	
SYMMETRY (DUTY CYCLE)		40		60	%	CMOS/TTL only	
RISE AND FALL TIME (Tr/Tf)				10	nS	CMOS/TTL only	
FREQUENCY DEVIATION		±5		±20	ppm		
CONTROL VOLTAGE	3.3V	0.15		3.15	V		
	5.0V	0.5		4.5	V		
FREQUENCY ADJUSTMENT (OPTION)		±3.0			ppm	By internal trimmer	
PHASE NOISE	10Hz		-80		dBc/Hz	@ 20.0MHz offset	
	100Hz		-120		dBc/Hz		
	1kHz		-135		dBc/Hz		
	10kHz		-140		dBc/Hz		
	100kHz		-145		dBc/Hz		

Transko Electronics, Inc reserves the right to make changes to the product (s), service (s), and specification (s) described herein without notice. See "Terms of Sale" for details on our website.

■ PACKAGE DIMENSIONS


Pin Connections		
	TX	VTX
1	N.C	V _C
7	GND	
8	Output	
14	V _{DD}	

Unit : mm

■ PART NUMBERING GUIDE


Transko Electronics, Inc reserves the right to make changes to the product (s), service (s), and specification (s) described herein without notice. See "Terms of Sale" for details on our website.