

CERAMIC RESONATOR

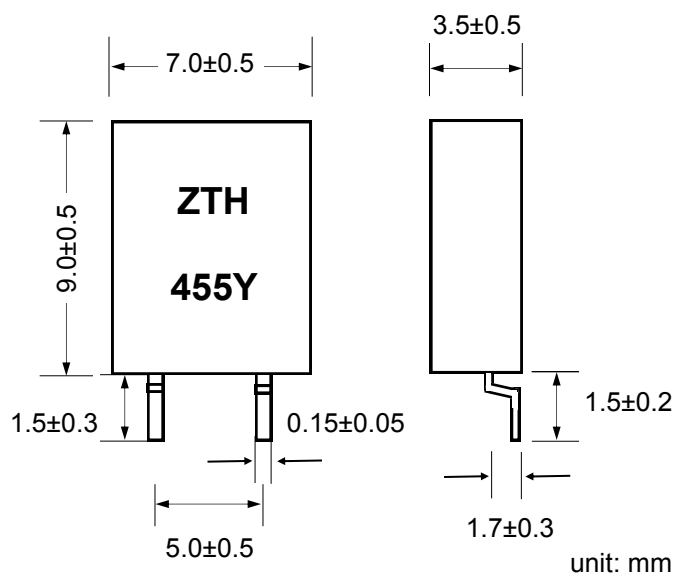
FEATURES:

- SUITABLE FOR REFLOW
- TAPE AND REEL
- 1.5mm LEAD LENGTH

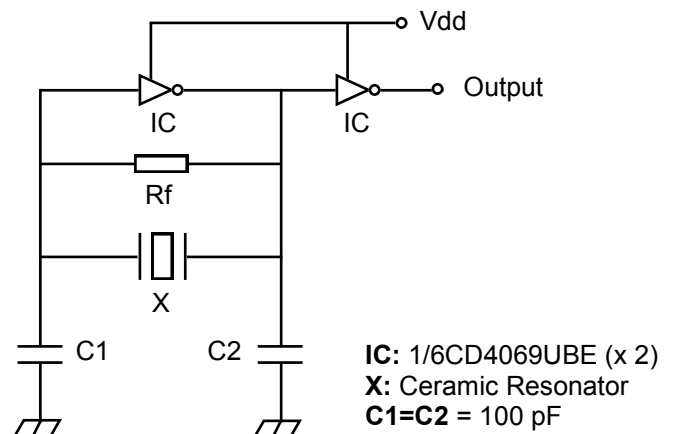


CENTER FREQUENCY	455 KHz
FREQUENCY ACCURACY	± 2 KHz
RESONANT IMPEDANCE	30 Ω max.
CAPACITANCE	280 pF ± 20%
MAXIMUM INPUT VOLTAGE	15 V _{PP}
TEMPERATURE COEFFICIENT OF OSCILLATION FREQUENCY	± 0.3% max (-20°C to +80°C)
WITHSTANDING VOLTAGE	50 V _{DC} max.
INSULATION RESISTANCE	100M Ω min.
OPERATING TEMPERATURE	-20°C to +80°C
STORAGE TEMPERATURE	25°C ± 5°C
AGING RATE	± 0.5% max.

■ PACKAGE DIMENSIONS

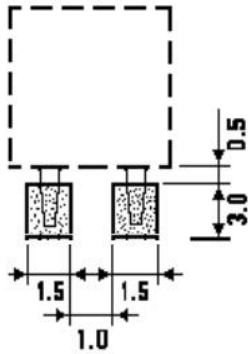


■ TEST CIRCUIT



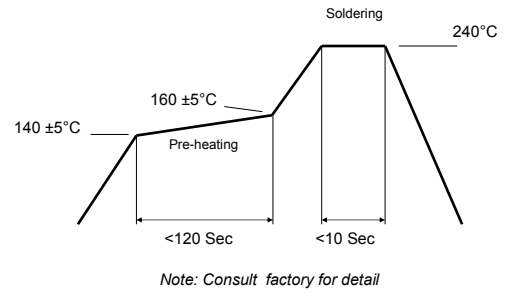
Transko Electronics, Inc reserves the right to make changes to the product (s), service (s), and specification (s) described herein without notice. See "Terms of Sale" for details on our website.

■ SOLDER PATTERN



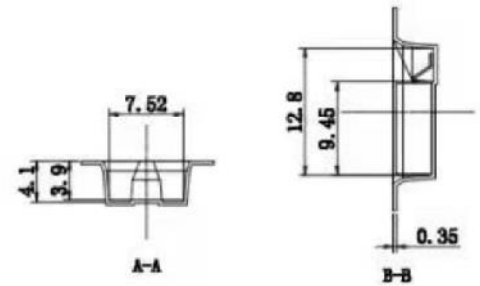
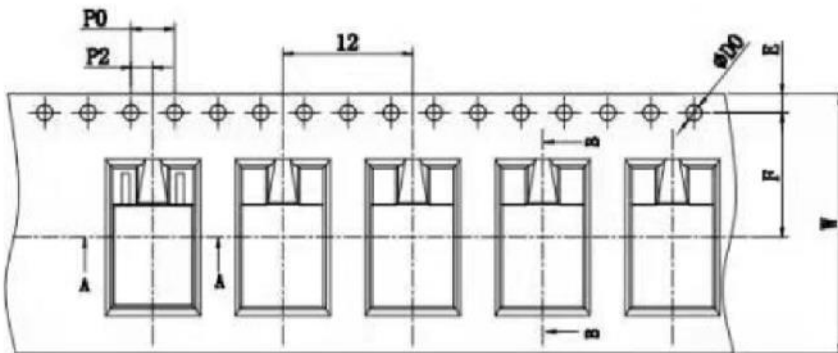
Unit : mm

■ REFLOW PROFILE



■ TAPE & REEL

► Tape (Carrier) Dimensions



unit: mm

SYMBOL	SIZE
DO	1.50 ± 0.1
E	1.75 ± 0.1
F	11.50 ± 0.1
P0	4.00 ± 0.1
P2	2.00 ± 0.1
W	24.00 ± 0.3

