

## CERAMIC THROUGH HOLE RESONATORS - 3PINS

### FEATURES:

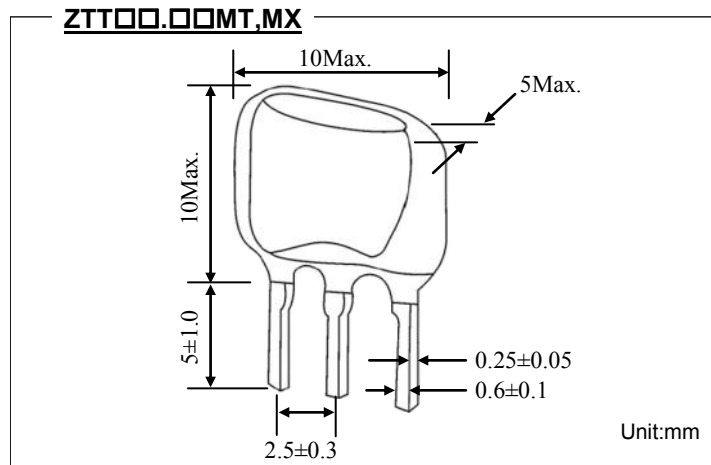
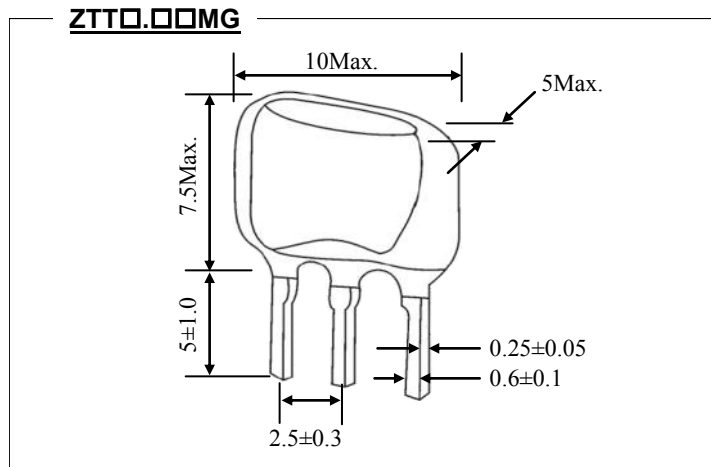
- LOW PROFILE / WIDE FREQUENCY RANGE
- EXTENDED TEMPERATURE RANGE
- BUILT-IN LOAD CAPACITANCE
- ROHS COMPLIANT



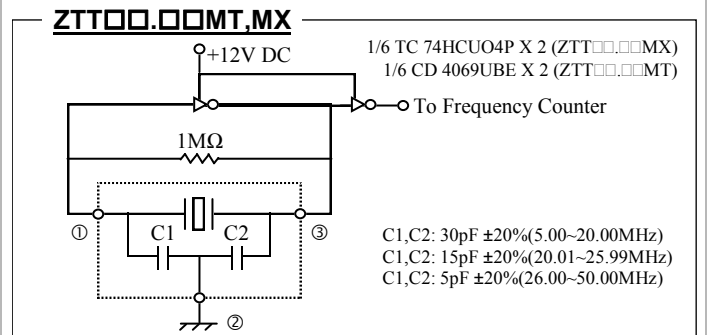
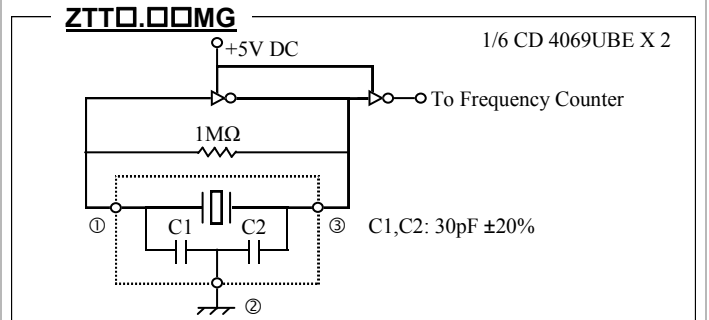
### ■ SPECIFICATION

PART NUMBER	FREQUENCY RANGE (MHz)	FREQUENCY ACCURACY @ 25°C (%)	STABILITY IN TEMPERATURE -20°C ~ +80°C	AGING FOR TEN YEARS (%)	RESONANT RESISTANCE (Ω) MAX
ZTT□.□□MG	2.00 ~ 2.99	±0.5	±0.3	±0.3	80
ZTT□.□□MG	3.00 ~ 3.49	±0.5	±0.3	±0.3	50
ZTT□.□□MG	3.50 ~ 8.00	±0.5	±0.3	±0.3	30
ZTT□.□□MT	6.01 ~ 6.99	±0.5	±0.3	±0.3	30
ZTT□□.□□MT	7.00 ~ 13.00	±0.5	±0.3	±0.3	25
ZTT□□.□□MX	13.01 ~ 50.00	±0.5	±0.3	±0.3	30

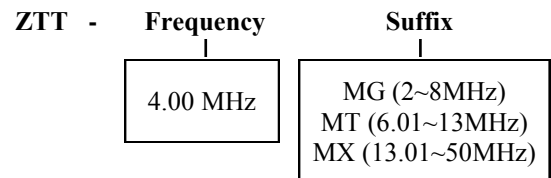
### ■ PACKAGE DIMENSIONS



### ■ TEST CIRCUIT



### ■ PART NUMBERING GUIDE



Transko Electronics, Inc reserves the right to make changes to the product (s), service (s), and specification (s) described herein without notice. See "Terms of Sale" for details on our website.