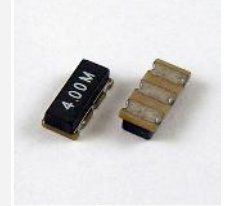


CERAMIC RESONATORS (7.4 X 3.4 X 1.8mm)

FEATURES:

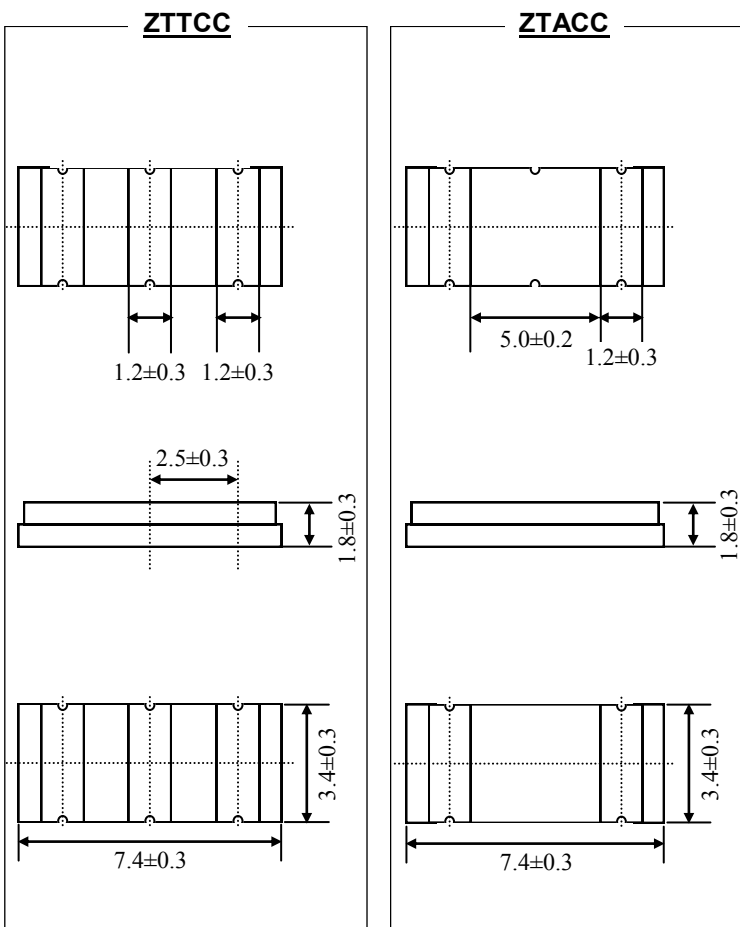
- BUILT IN LOAD CAPACITANCE
- ULTRA-SMALL TRUE SURFACE MOUNTABLE
- CAN BE REFLOW SOLDERED
- AVAILABLE IN TAPE AND REEL PACKAGING



■ SPECIFICATION

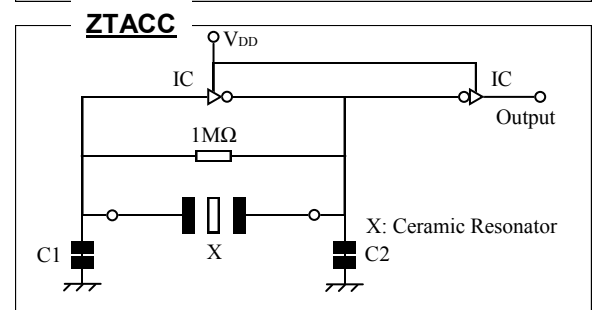
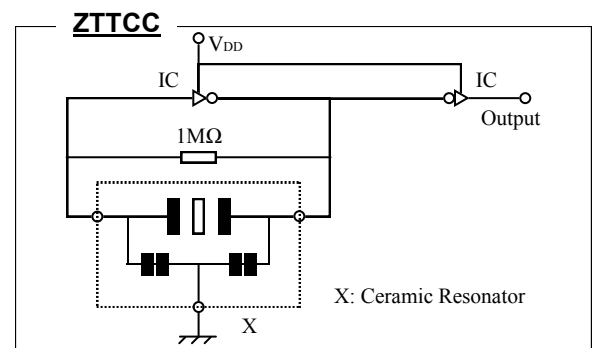
FREQUENCY RANGE	2.00 ~ 8.00 MHz
FREQ. ACCURACY @ 25°C	± 0.5 %
TEMPERATURE STABILITY	± 0.3 %
TEMPERATURE RANGE	-20°C to 80°C
AGING	10years ± 0.3 %

■ PACKAGE DIMENSIONS



Unit:mm

■ TEST CIRCUIT



Frequency Range	C1(pF)	C2(pF)
2.00~20.00	30	30
20.01~25.99	15	15
26.00~60.00	5	5

Type	ZTTCC/ZTACC
Frequency	2.0~8.0MHz
IC	TC4069UBP
VDD	+5V

Transko Electronics, Inc reserves the right to make changes to the product (s), service (s), and specification (s) described herein without notice. See "Terms of Sale" for details on our website.