

## STANDARD THROUGH HOLE OSCILLATOR (20.7 x 13.1 x 7.5mm)

### FEATURES:

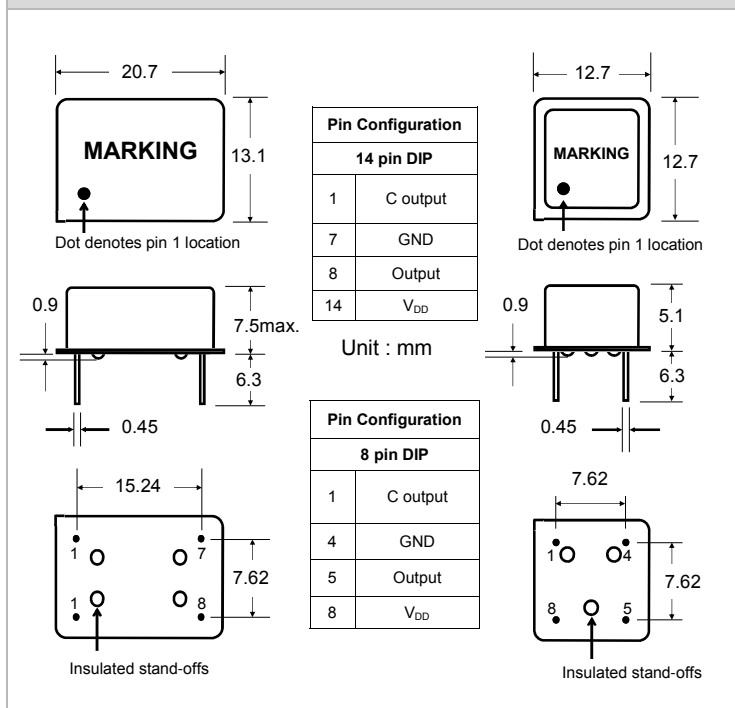
- LVDS OUTPUT
- FAST DELIVERY
- LOW COST



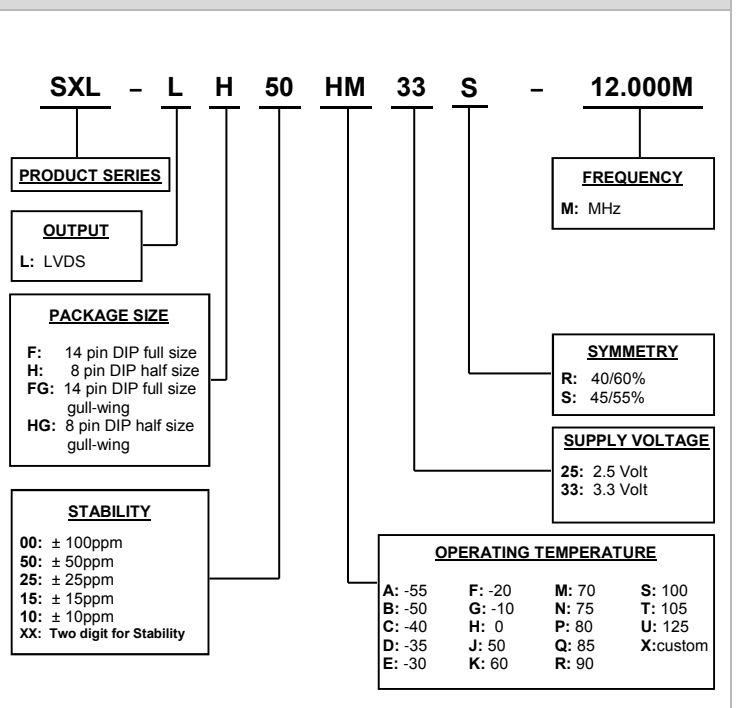
### ■ SPECIFICATION

PARAMETER		MIN.	TYP.	MAX.	UNIT	NOTE
FREQUENCY RANGE		0.75		800	MHz	
FREQUENCY STABILITY		±10		±100	ppm	See P/N guide for other options
OPERATING TEMPERATURE RANGE		-40		85	°C	See P/N guide for other options
STORAGE TEMPERATURE RANGE		-55		105	°C	
SUPPLY VOLTAGE ± 5%		2.5		3.3	V <sub>DC</sub>	See P/N guide for other options
SUPPLY CURRENT	f ≤ 24.000M			25	mA	
	24.001M ≤ f ≤ 50M			100	mA	
OUTPUT	LOGIC FAMILY		LVDS			
	LOAD		100Ω			Output - Complementary Output
	LEVEL	V <sub>OH</sub>		1.43		V
		V <sub>OL</sub>		1.1		V
	DIFFERENTIAL OUTPUT			330		mA
	OFFSET VOLTAGE			1.2		V
	SYMMETRY (DUTY CYCLE)		45		55	%
RISE AND FALL TIME (Tr/Tf)				0.6	nS	
AGING @ 25°C ± 3°C				±3.0	ppm /yr	
PHASE JITTER RMS (12kHz ~ 20MHz)				1.0	pSec	Fundamental, 3pS max. for PLL

### ■ PACKAGE DIMENSIONS



### ■ PART NUMBERING GUIDE



Transko Electronics, Inc reserves the right to make changes to the product (s), service (s), and specification (s) described herein without notice. See "Terms of Sale" for details on our website.