

OCXO 38 X 38 X 19mm
FEATURES:

- AT/SC cut
- Wide temperature range
- Any frequency available up to 200MHz


■ SPECIFICATION

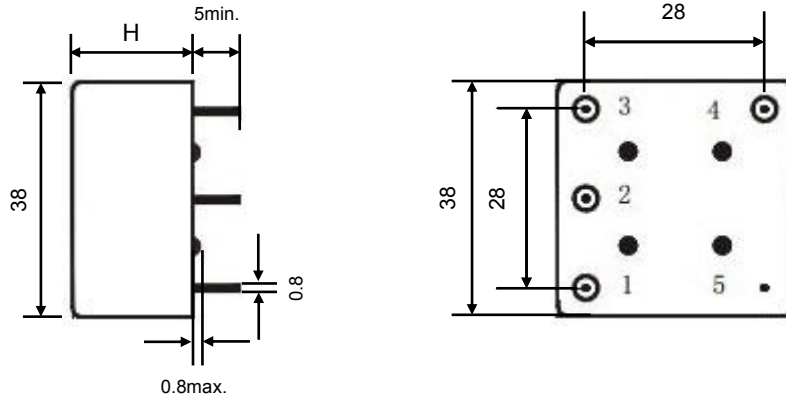
FREQUENCY RANGE		AT cut: 10 ~ 200MHz, SC cut: 10~120MHz	
FREQUENCY STABILITY	Vs. OPERATING TEMPERATURE	±5 ~ ±200ppb (see table 1)	
	Vs. AGING	±0.5ppm/1 st yr. max.	
	Vs. SUPPLY VOLTAGE (±5%)	±5ppb max.	
OPERATING TEMPERATURE RANGE		-55°C ~ +85°C (see table 1)	
STORAGE TEMPERATURE RANGE		-55°C ~ +100°C	
SUPPLY VOLTAGE		+12.0V _{DC} , +15.0V _{DC}	
SUPPLY CURRENT @ 25°C		5W max. during warm-up, 2W max. when static	
OUTPUT	LOGIC FAMILY	Sine Wave	HCMOS/TTL (up to 50MHz)
	LOAD	50Ω	15pF typ.
	LEVEL	7dBm (10dBm available)	"1" level: 90%V _{DD} min.; "0" level: 10%V _{DD}
	HARMONIC	-20dB max.	-
	NOISE SUPPRESSION	-70dB max.	-
	SYMMETRY (DUTY CYCLE)	-	45/55%
	RISE/FALL TIME	-	6ns max.
FREQUENCY ADJUSTMENT (@ V_c 5V ±5V)		±0.5~±2.0ppm (Resistance adjustment available)	
PHASE NOISE @ 100MHz	10Hz	-80dBc/Hz	
	100Hz	-115dBc/Hz	
	1kHz	-140dBc/Hz	
	100kHz	-145dBc/Hz	

■ TABLE 1 FREQUENCY STABILITY VS TEMPERATURE

Frequency Stability vs Temperature	Temperature Range
±5ppb	0°C ~ +50°C
±5ppb	-10°C ~ +60°C
±10ppb	-20°C ~ +70°C
±10ppb	-30°C ~ +70°C
±10ppb	-40°C ~ +70°C
±50ppb	-40°C ~ +85°C
±100ppb	-55°C ~ +85°C

Transko Electronics, Inc reserves the right to make changes to the product (s), service (s), and specification (s) described herein without notice. See "Terms of Sale" for details on our website.

■ PACKAGE DIMENSIONS

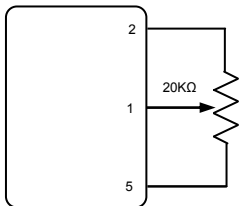


Package C1 H = 12.7mm
 Package C2 H = 16mm
 Package C3 H = 19mm

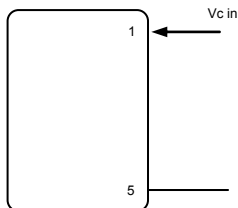
Pin Configuration	
1	V _c
2	Ref. V or N/C
3	V _{DC}
4	RF Output
5	GND

■ OUTSIDE FREQUENCY ADJUSTMENT

With variable resistance



With control voltage



■ PART NUMBERING GUIDE

OX - C2 - 12 - E5 - J - R - 10.000M

Package Height

C1: 12.7 mm
 C2: 16.0 mm
 C3: 19.0 mm

Voltage

12: +12.0 V
 15: +15.0 V

Stability

F5: ± 0.005ppm
 E1: ± 0.01ppm
 E2: ± 0.02ppm
 E5: ± 0.05ppm
 01: ± 0.1ppm
 02: ± 0.2ppm
 Other options available

Frequency

Frequency in MHz

Output

Q: Sine Wave
 R: CMOS

Operating Temperature

H: 0°C to 50°C
 I: -10°C to 60°C
 J: -10°C to 70°C
 K: -20°C to 70°C
 L: -30°C to 70°C
 M: -40°C to 85°C
 Other options available

Transko Electronics, Inc reserves the right to make changes to the product (s), service (s), and specification (s) described herein without notice. See "Terms of Sale" for details on our website.