

**OCXO 20.5 X 20.5 X 11mm SQUARE PACKAGE**
**FEATURES:**

- AT/SC cut
- Low aging, Compact Package
- APPLICATIONS: PCS Base Station, Cellular Base Station, Synthesizer, Digital Switching Measurement Equipment


**■ SPECIFICATION**

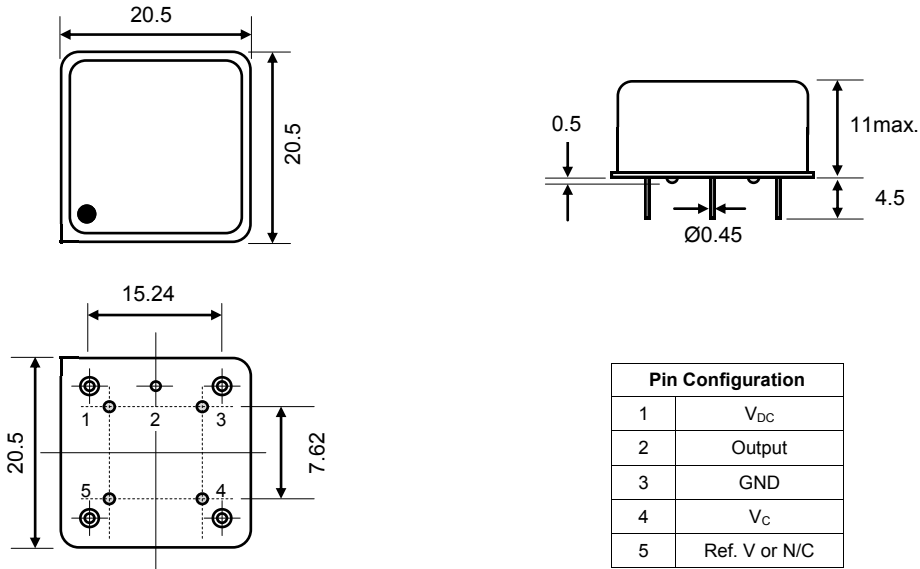
<b>FREQUENCY RANGE</b>		2 ~ 100MHz	
<b>STANDARD FREQUENCIES</b>		10MHz, 12.8MHz, 20MHz, 38.88MHz, 100MHz	
<b>FREQUENCY TOLERANCE</b>		±0.2ppm (center control voltage)	
<b>FREQ. STABILITY</b>	<b>Vs. OPERATING TEMPERATURE</b>	See Table 1	
	<b>Vs. LOAD (±10%)</b>	±10ppb	
	<b>Vs. SUPPLY VOLTAGE (±5%)</b>	±20ppb	
<b>SHORT TERM STABILITY</b>		1X10 <sup>-11</sup> /s (10MHz SC cut)	
<b>STORAGE TEMPERATURE RANGE</b>		-40°C ~ +100°C	
<b>SUPPLY VOLTAGE</b>		+3.3V <sub>DC</sub> , +5.0V <sub>DC</sub> , +12.0V <sub>DC</sub>	
<b>SUPPLY CURRENT</b>		3.6W max. during warm-up, 1.2W max. when static	
<b>WARM-UP TIME</b>	AT Cut	±0.2ppm, 3minutes max.	
	SC Cut	±0.1ppm, 3minutes max.	
<b>OUTPUT</b>	<b>LOGIC FAMILY</b>	Sine Wave	HCMOS/LVCMOS
	<b>LOAD</b>	50Ω	15pF typ., 50pF max. available
	<b>LEVEL</b>	5dBm min.	"1" level: 90%V <sub>DD</sub> min.; "0" level: 10%V <sub>DD</sub> max.
	<b>HARMONIC</b>	-30dBm max.	-
	<b>NOISE SUPPRESSION</b>	-75dBm max.	-
	<b>SYMMETRY (DUTY CYCLE)</b>	-	45/55%
	<b>RISE/FALL TIME</b>	-	6ns max.(fn<40MHz), 3ns max.(fn>40MHz)
<b>FREQUENCY DEVIATION</b>	AT Cut	±3.0ppm	
	SC Cut	±0.7ppm	
<b>CONTROL VOLTAGE</b>	3.3V	0~3.3V	
	5.0V, 12V	0~5.0V	
<b>SLOPE</b>		Positive	
<b>LINEARITY</b>		±10%	
<b>AGING</b>	<b>DAY</b>	AT Cut	±2ppb
		SC Cut	±1ppb
	<b>YEAR</b>	AT Cut	±300ppb
		SC Cut	±100ppb
	<b>10 YEAR</b>	AT Cut	±2.0ppm
		SC Cut	±0.5ppm
<b>PHASE NOISE</b>	10Hz	-120dBc/Hz	
	100Hz	-140dBc/Hz	
	1kHz	-145dBc/Hz	
	10kHz	-150dBc/Hz	

Transko Electronics, Inc reserves the right to make changes to the product (s), service (s), and specification (s) described herein without notice. See "Terms of Sale" for details on our website.

■ TABLE 1 FREQUENCY STABILITY VS TEMPERATURE

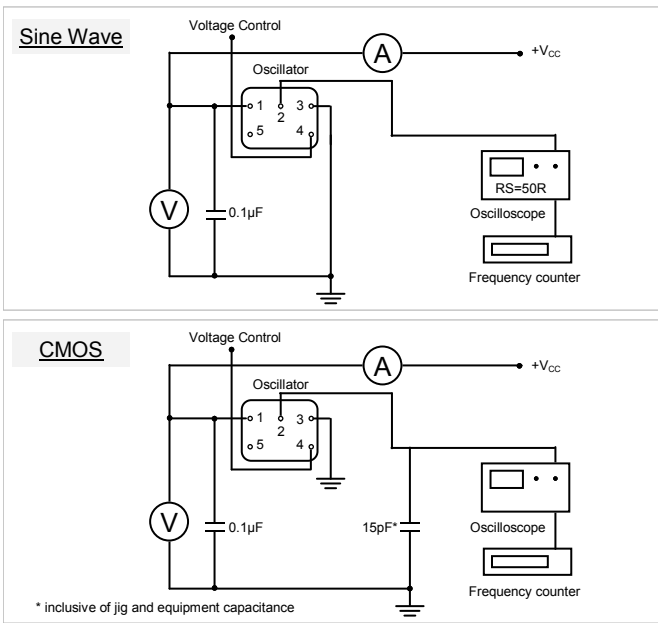
Frequency Stability vs Temperature		Temperature Range
AT CUT	SC CUT	
±50ppb	±5ppb	0°C ~ +50°C
±100ppb	±10ppb	-20°C ~ +70°C
±100ppb	±30ppb	-40°C ~ +75°C

■ PACKAGE DIMENSIONS

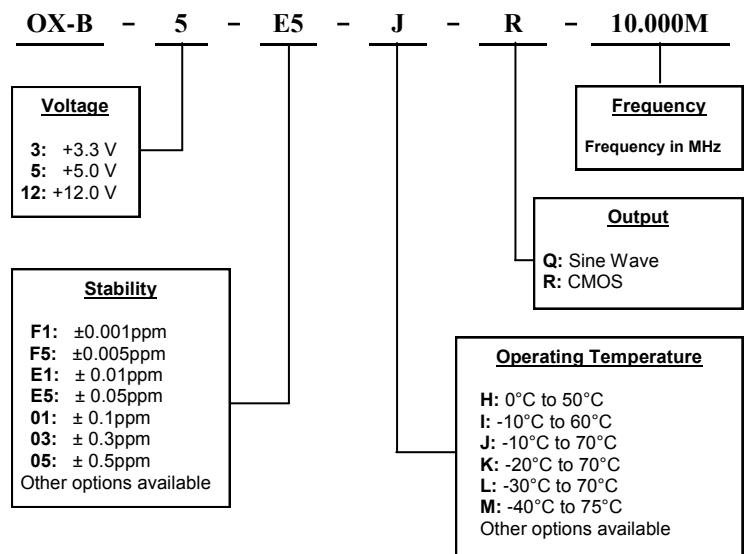


Unit:mm

■ TEST CIRCUIT



■ PART NUMBERING GUIDE



Transko Electronics, Inc reserves the right to make changes to the product (s), service (s), and specification (s) described herein without notice. See "Terms of Sale" for details on our website.