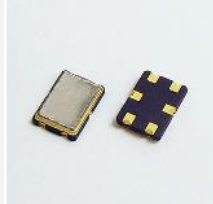


SMD MONOLITHIC CRYSTAL FILTER

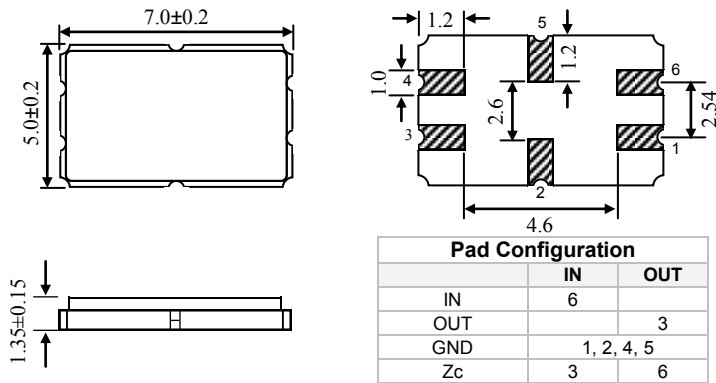
FEATURES:

- THIN AND LIGHT WEIGHT
- EXCELLENT SHOCK AND VIBRATION RESISTANCE
- SUITABLE FOR AUTOMATIC PICK AND PLACE
- SOLDER REFLOW CAPABLE

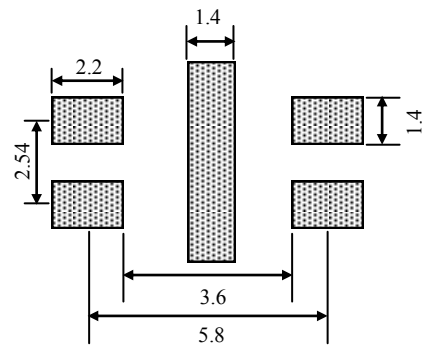


PART NUMBER	NOMINAL FREQUENCY	OSCILLATION MODE	PASS BANDWIDTH		STOP BANDWIDTH		GUARANTEED ATTENUATION		RIPPLE	INSERTION LOSS	TERMINAL IMPEDANCE	OPERATING TEMP. RANGES
	(MHz)		(dB)	(kHz)	(dB)	(kHz)	(dB)	(kHz)				
214MT12C	21.40	FUND	3	±6.00	15	±12.5	60	-910	1.0	4.0	1200//1.0	-30 to +80
214MT15C	21.40	FUND	3	±7.50	40	±25.0	80	-910	1.0	5.0	2000//1.0	-30 to +80
214MT24C	21.40	FUND	3	±12.0	20	±25.0	70	-910	1.0	5.0	2000//1.0	-30 to +80
217MT15C	21.70	FUND	3	±7.50	30	±25.0	70	-910	1.0	4.0	2200//1.0	-30 to +80
450MT12C	45.00	FUND	3	±6.00	35	±20.0	80	-910	1.0	4.0	640//2.4	-30 to +80
450MT15C	45.00	FUND	3	±7.50	30	±25.0	70	-910	1.0	3.0	650//3.0	-30 to +80
450MT40C	45.00	FUND	3	±20.0	30	±60.0	80	-910	1.0	4.0	1350//0.6	-30 to +80
463MT12C	46.35	FUND	3	±6.00	30	±20.0	75	-910	1.0	3.0	490//4.0	-30 to +80
500MT15C	50.00	FUND	3	±7.50	35	±25.0	70	-910	1.0	4.0	400//4.2	-30 to +80
508MT11C	50.85	FUND	3	±5.50	20	±12.5	80	-910	1.0	3.0	650//2.5	-30 to +80
600MT16C	60.00	3rd	3	±8.00	30	±25.0	70	-910	1.0	4.0	2400//1.4	-30 to +80
700MT16C	70.00	3rd	3	±8.00	30	±25.0	70	-910	1.0	4.0	1650//1.1	-30 to +80
800MT16C	80.00	3rd	3	±8.00	25	±25.0	70	-910	1.0	4.0	1860//0.9	-30 to +80
900MT30C	90.00	3rd	3	±15.0	25	±50.0	70	-910	1.0	4.0	3810//1.3	-30 to +80
100MT16C	100.00	3rd	3	±8.00	30	±30.0	70	-910	1.0	4.0	1600//0.5	-30 to +80
100MT30C	100.00	3rd	3	±15.0	35	±60.0	80	-910	1.0	4.0	3250//1.0	-30 to +80

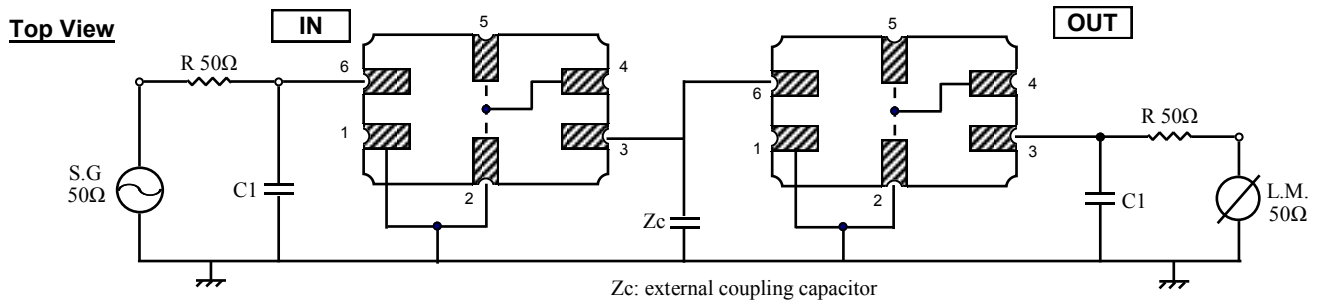
PACKAGE DIMENSIONS



SOLDER PATTERN



TEST CIRCUIT



Transko Electronics, Inc reserves the right to make changes to the product (s), service (s), and specification (s) described herein without notice. See "Terms of Sale" for details on our website.