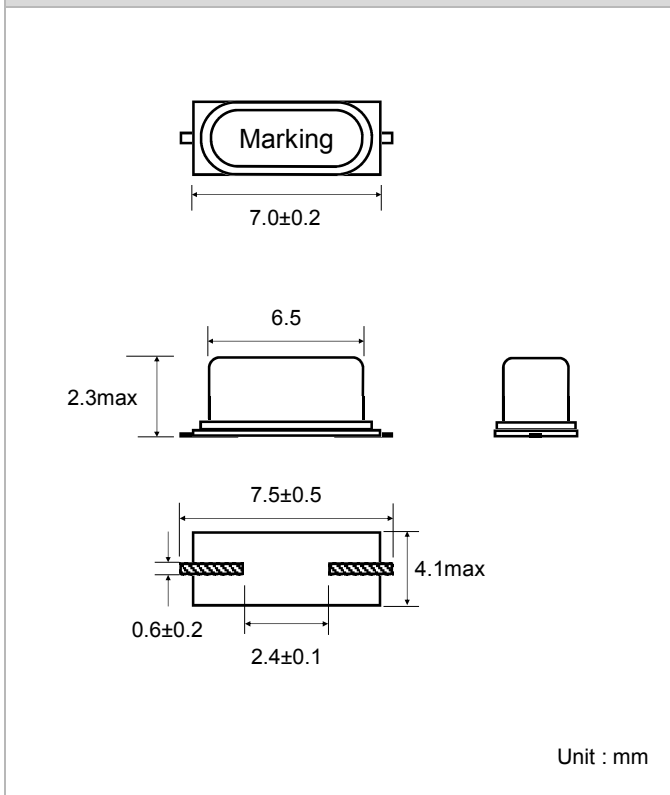
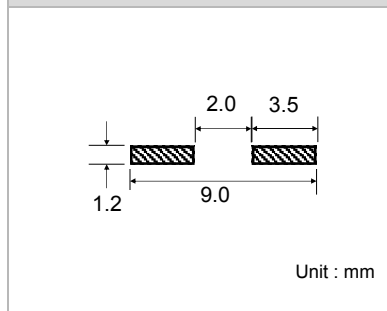
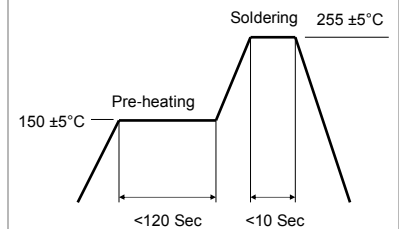


**MINIATURE UM SMD CRYSTAL (7.0 x 4.1 x 2.3mm)**
**FEATURES:**

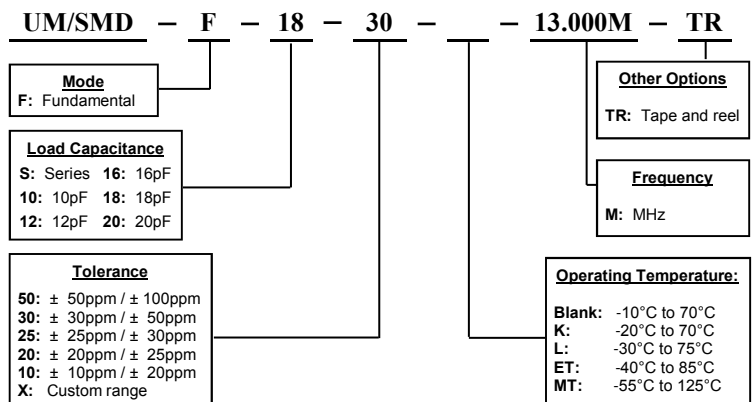
- MINIATURE LOW PROFILE RESISTANCE WELD TYPE
- LOW COST
- REFLOW


**■ SPECIFICATION**

<b>FREQUENCY RANGE</b>	4.000MHz ~ 40.000MHz	
<b>FREQUENCY TOLERANCE @ 25°C</b>	±30ppm (See P/N guide for other options)	
<b>FREQUENCY STABILITY</b>	±50ppm (See P/N guide for other options)	
<b>OPERATING TEMPERATURE RANGE</b>	STD: -10°C to 70°C (See P/N guide for other options)	
<b>STORAGE TEMPERATURE RANGE</b>	-40°C to 85°C	
<b>LOAD CAPACITANCE</b>	STD: 20pF, Option:10pF to Series (See P/N guide for other options)	
<b>SHUNT CAPACITANCE</b>	7pF max.	
<b>INSULATION RESISTANCE</b>	500MΩ min. @ 100V <sub>DC</sub> ± 15V <sub>DC</sub> (No information)	
<b>DRIVE LEVEL</b>	100μW max.	
<b>AGING @ 25°C ±3°C</b>	±5.0ppm / 1 <sup>st</sup> year max.	
<b>EQUIVALENT SERIES RESISTANCE</b>	6.000MHz ~ 11.999MHz: 200Ω max. 12.000MHz ~ 15.999MHz: 60Ω max.	16.000MHz ~ 29.999MHz: 50Ω max. 30.000MHz ~ 40.000MHz: 40Ω max.
<b>OPERATION MODE</b>	AT cut / Fundamental	

**■ PACKAGE DIMENSIONS**

**■ SOLDER PATTERN**

**■ REFLOW PROFILE**


Note: Consult factory for detail

**■ PART NUMBERING GUIDE**


Transko Electronics, Inc reserves the right to make changes to the product (s), service (s), and specification (s) described herein without notice. See "Terms of Sale" for details on our website.