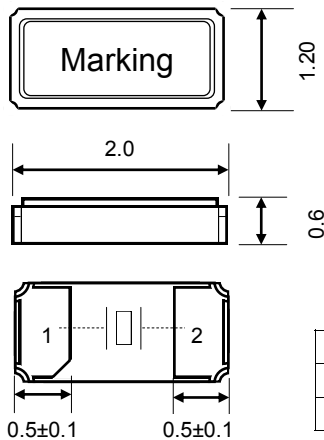
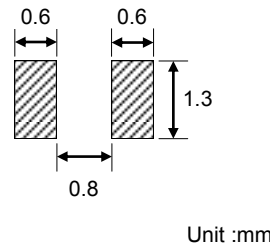
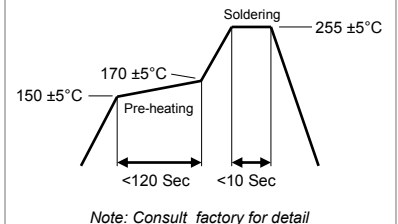
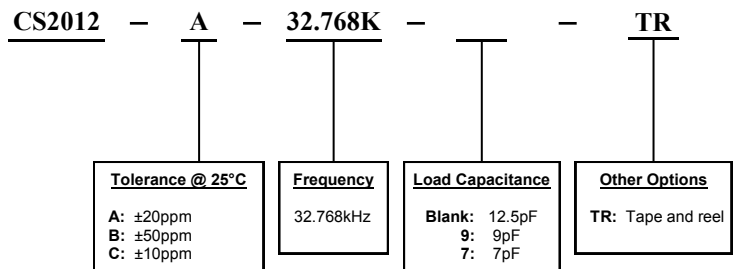
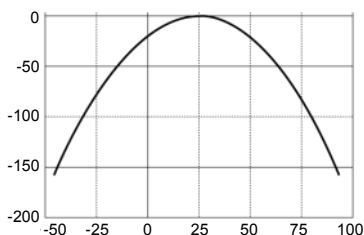


MINIATURE CERAMIC SMD TUNING FORK CRYSTAL (2.0 x 1.2 x 0.6mm)
FEATURES:

- SMALL SIZE CERAMIC SMD PACKAGE 32.768kHz
- EXCELLENT HEAT RESISTANCE
- -40°C ~ 85°C OPERATING TEMPERATURE


■ SPECIFICATION

FREQUENCY RANGE	32.768kHz
FREQUENCY TOLERANCE @ 25°C ± 3°C	±10ppm, ±20ppm, ±50ppm
TEMPERATURE COEFFICIENT	-0.045ppm / °C ² max.
OPERATING TEMPERATURE RANGE	-40°C ~ +85°C
STORAGE TEMPERATURE RANGE	-40°C ~ +85°C
TURN OVER TEMPERATURE	25°C ± 5°C
LOAD CAPACITANCE	12.5pF, 9.0pF, 7.0pF
SHUNT CAPACITANCE	2.0pF max.
EQUIVALENT SERIES RESISTANCE	90kΩ max.
INSULATION RESISTANCE	500MΩ min. @ 100V _{DC} ± 15V _{DC}
DRIVE LEVEL	0.1μW
AGING @ 25°C ± 3°C	±3.0ppm/ 1 st year max.

■ PACKAGE DIMENSIONS

■ SOLDER PATTERN

■ REFLOW PROFILE

■ PART NUMBERING GUIDE

■ TEMPERATURE COEFFICIENT


Transko Electronics, Inc reserves the right to make changes to the product (s), service (s), and specification (s) described herein without notice. See "Terms of Sale" for details on our website.