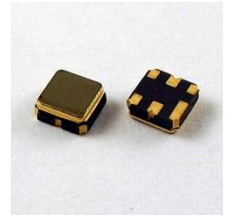


- Low-loss RF SAW filter for EGSM mobile systems
- Low amplitude ripple
- Usable passband 35MHz
- No matching network required for operation at 50Ω
- Ceramic package for Surface Mounted Technology (SMT)
- Lead-free production and RoHS compliant

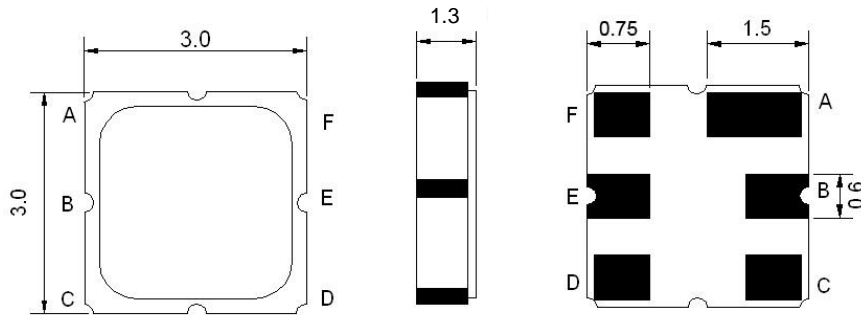


Electrical Characteristics

MAXIMUM RATING				
PARAMETERS DESCRIPTION	UNIT	MINIMUM	TYPICAL	MAXIMUM
Operating Temperature Range	°C	-30	-	+60
Storage Temperature Range	°C	-40	-	+85
Maximum DC Voltage	V _{DC}	-	-	12
Maximum Input Power	dBm	-	-	20
Source Impedance	Ω	-	50	-
Load Impedance	Ω	-	50	-
Length x Width	mm ²	-	3.0 x 3.0	-
Height	mm	-	-	1.3

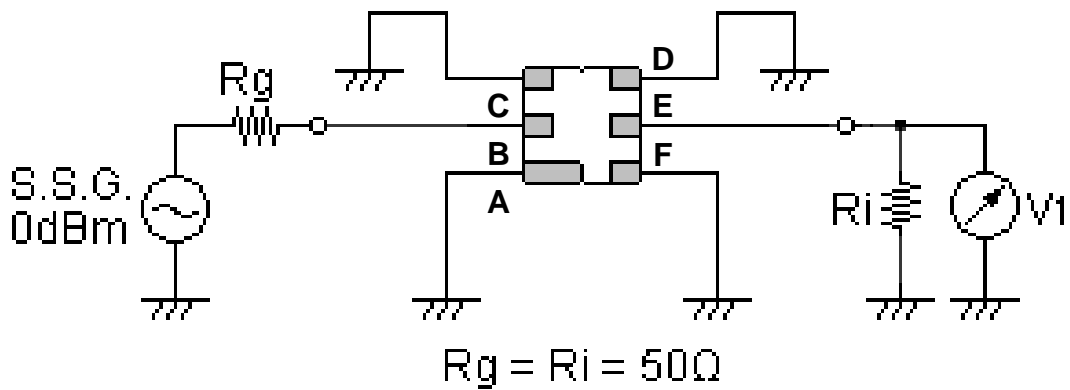
ELECTRICAL SPECIFICATION				
PARAMETERS DESCRIPTION	UNIT	MINIMUM	TYPICAL	MAXIMUM
Center Frequency (Fo)	MHz	-	942.5	-
Insertion Loss @ 925.00 ~ 960.00MHz	dB		3.2	4.5
Amplitude Ripple (p-p) @ 925.00 ~ 960.00MHz	dB		1.2	2.5
Absolute Attenuation:				
DC ~ 880.00 MHz	dB	40	50	
880.00 ~ 905.00 MHz	dB	35	40	
905.00 ~ 915.00 MHz	dB	15	25	
980.00 ~ 1005.00 MHz	dB	20	23	
1005.00 ~ 1025.00 MHz	dB	30	42	
1025.00 ~ 1760.00 MHz	dB	40	50	
1760.00 ~ 2000.00 MHz	dB	30	40	
Input / Output VSWR @ 925.00 ~ 960.00MHz	dB			2.5

Package Dimensions



Pin Description	
B	Input
E	Output
A, C, D, F	Ground

Testing Environment



Frequency Characteristics

