

- Wireless, RF SAW Filter
- Revision 0: October 2013

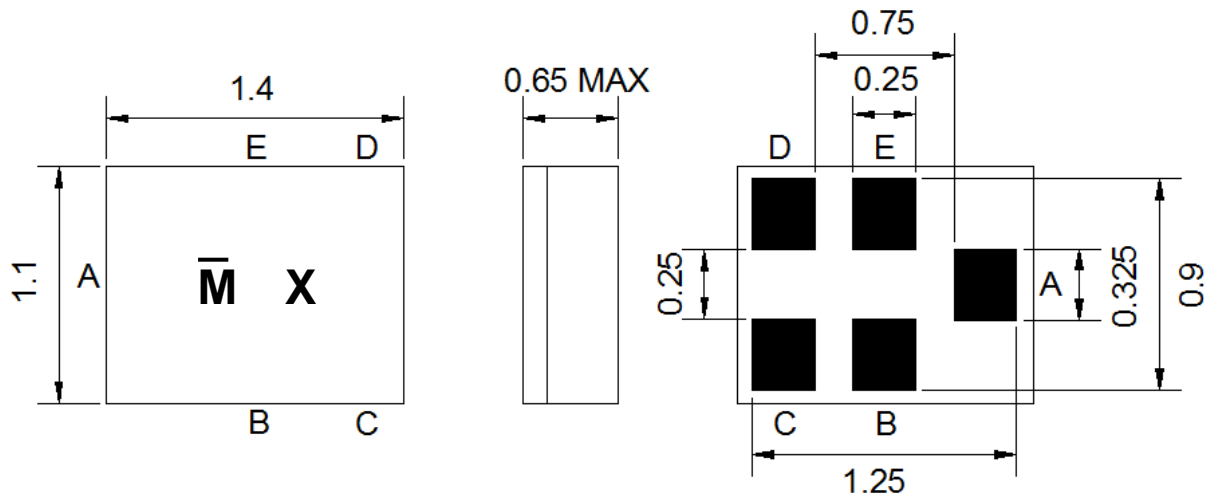
### Electrical Characteristics

MAXIMUM RATING				
PARAMETERS DESCRIPTION	UNIT	MINIMUM	TYPICAL	MAXIMUM
Operating Temperature Range	°C	-30	-	+85
Storage Temperature Range	°C	-40	-	+85
Maximum DC Voltage	V	-	-	5
Maximum Input Power	dBm	-	-	15
Source Impedance (single ended) <sup>(1)</sup>	Ω	-	50	-
Load Impedance (single ended) <sup>(1)</sup>	Ω	-	50	-
Package type & size	C21			
Length x Width	mm <sup>2</sup>	-	1.4 x 1.1	-
Height	mm	-	-	0.65

ELECTRICAL SPECIFICATION				
PARAMETERS DESCRIPTION	UNIT	MINIMUM	TYPICAL	MAXIMUM
Center Frequency (Fo)	MHz	-	925.5	-
Insertion Loss within 922.0 ~ 929.0 MHz	dB	-	2.4	3.0
Amplitude Ripple within 922.0 ~ 929.0 MHz	dB <sub>p-p</sub>	-	0.35	1.0
Attenuation:				
775.0 ~ 835.0 MHz	dB	45	50	-
835.0 ~ 895.0 MHz	dB	35	40	-
945.0 ~ 960.0 MHz	dB	40	47	-
960.0 ~ 970.0 MHz	dB	45	55	-
970.0 ~ 992.0 MHz	dB	45	55	-
992.0 ~ 1075.0 MHz	dB	45	50	-
VSWR within 922.0 ~ 929.0 MHz	-	-	1.4	2.0

**Notes:** (1) No Matching Network .

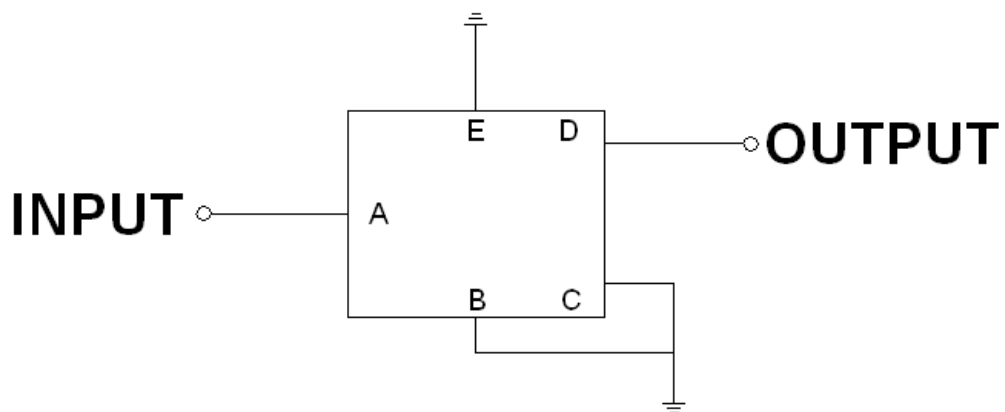
### Package Dimensions



Marking Descriptions	
$\bar{M}$	Series Number
X	Date Code (Year+Month)

Pin Description	
B, C, E	Ground
A	Input
D	Output

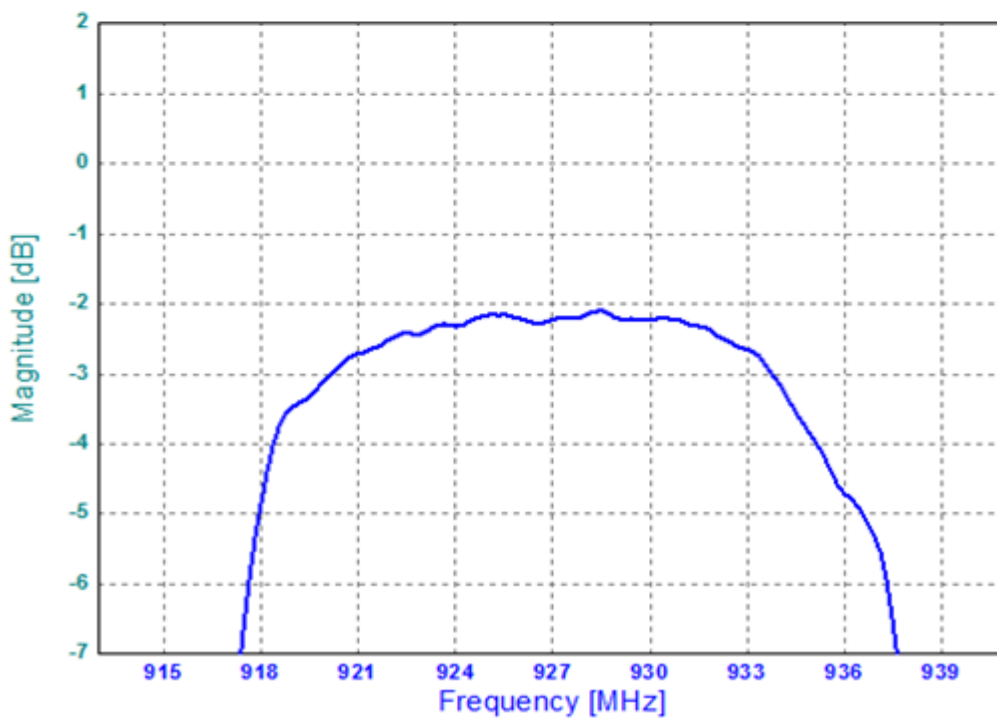
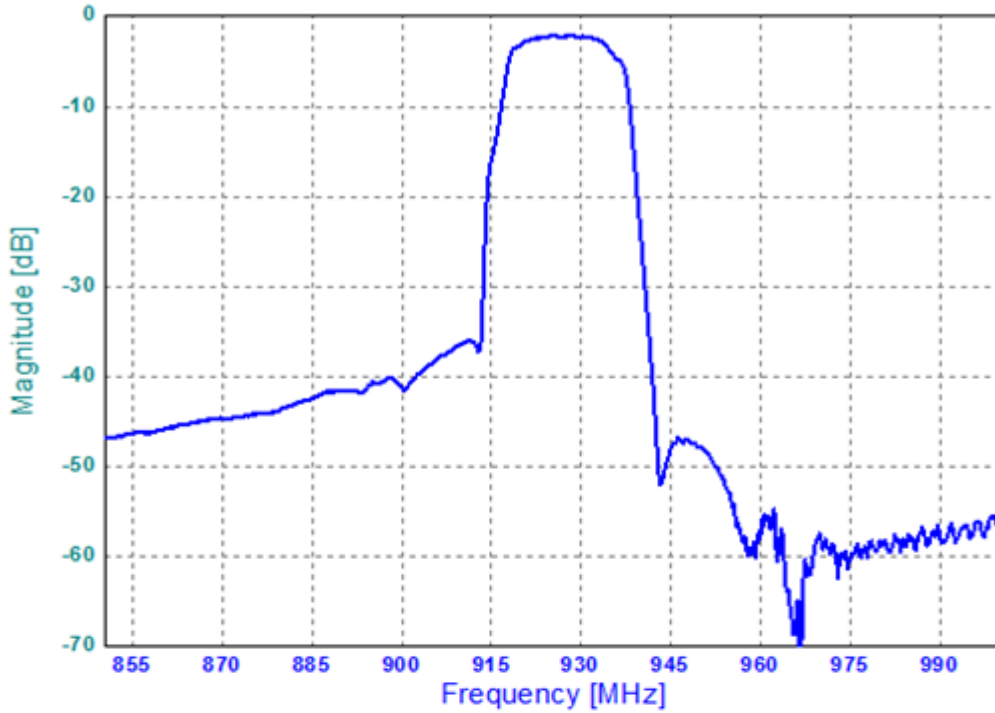
### Testing Environment



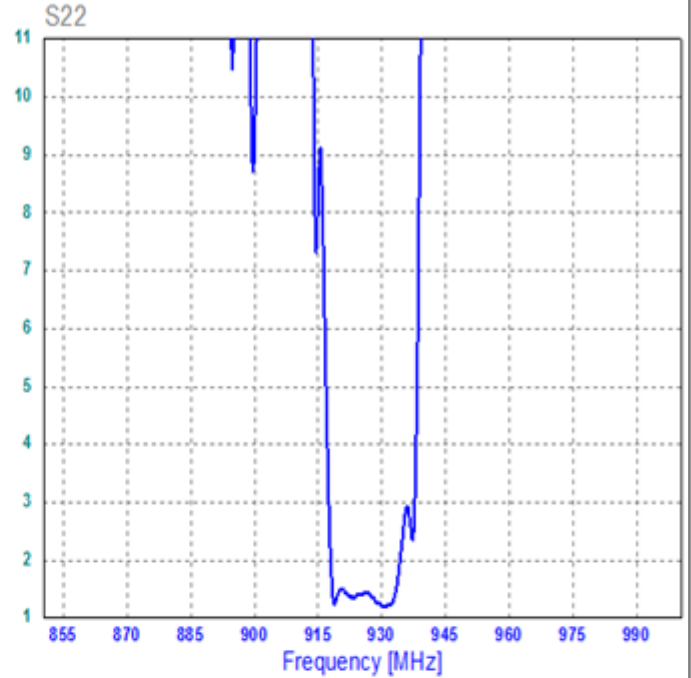
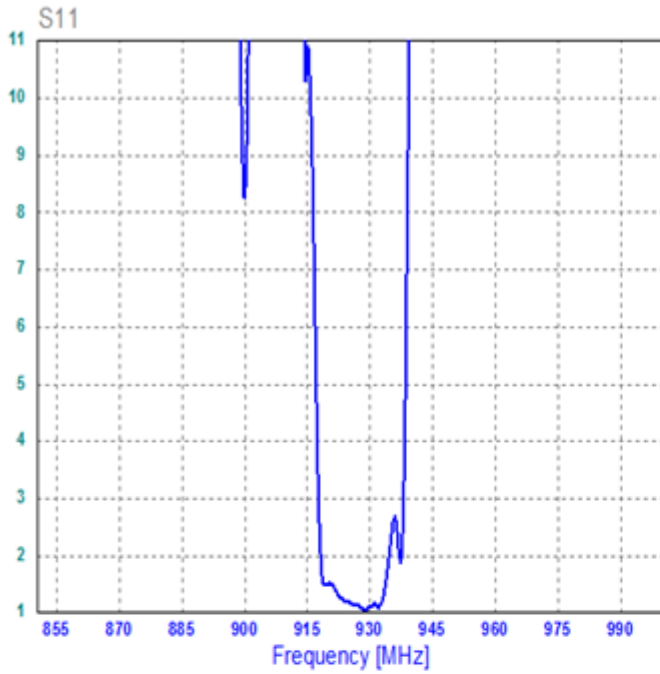
Source & Load Impedance: 50  $\Omega$

**Frequency Characteristics**

**Frequency Response**



**VSWR**



**Smith Chart**

