

- CDMA, RF-Rx Balanced SAW Filter
- Revision 0: November 2012

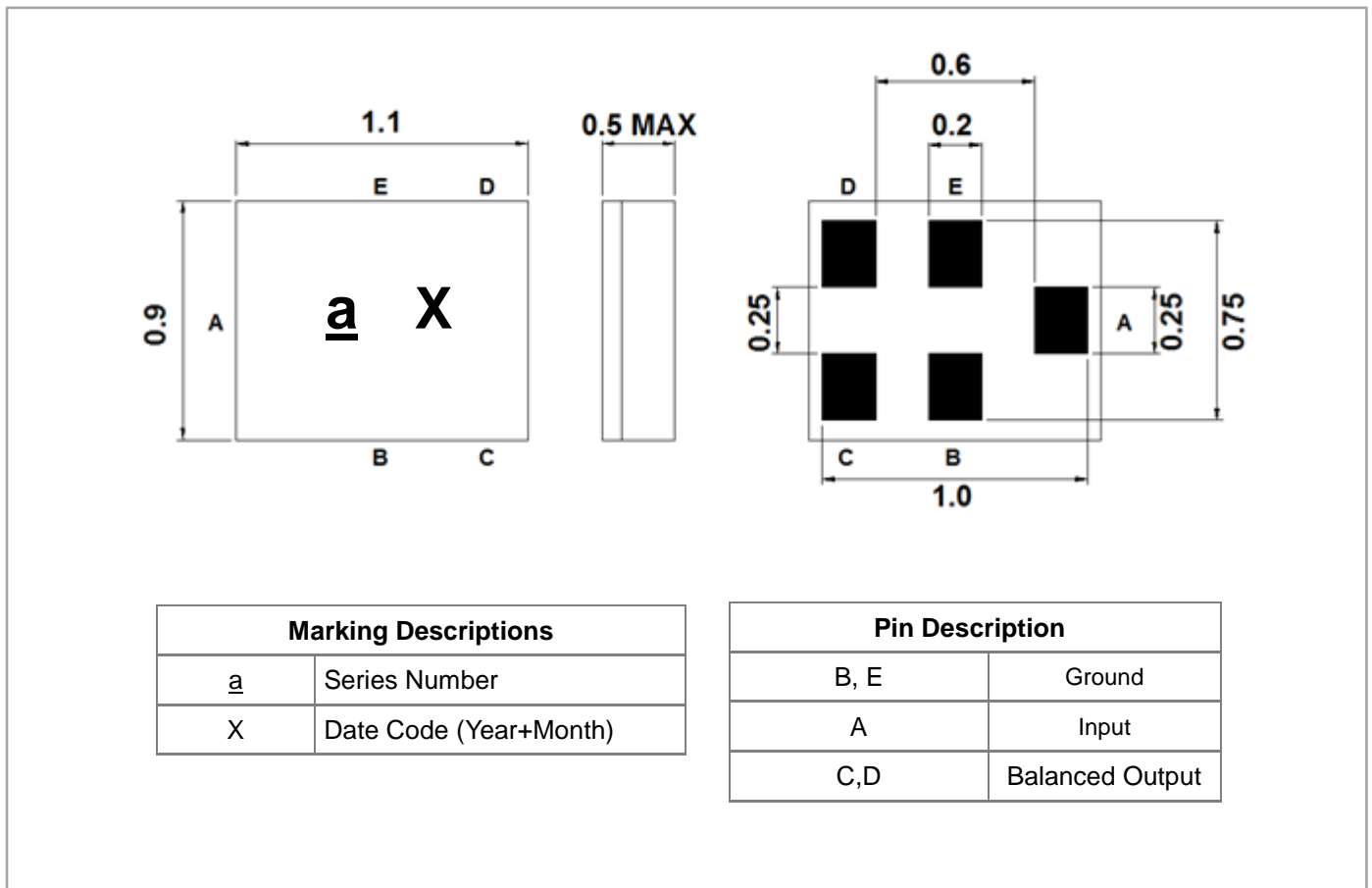
Electrical Characteristics

MAXIMUM RATING				
PARAMETERS DESCRIPTION	UNIT	MINIMUM	TYPICAL	MAXIMUM
Operating Temperature Range	°C	-30	-	+85
Storage Temperature Range	°C	-40	-	+85
Maximum DC Voltage	V	-	-	-
Maximum Input Power	dBm	-	-	15
Source Impedance (single ended)	Ω	-	50	-
Load Impedance (balanced)	Ω	-	100	-
Package type & size	C12			
Length x Width	mm ²	-	1.1 x 0.9	-
Height	mm	-	-	0.5

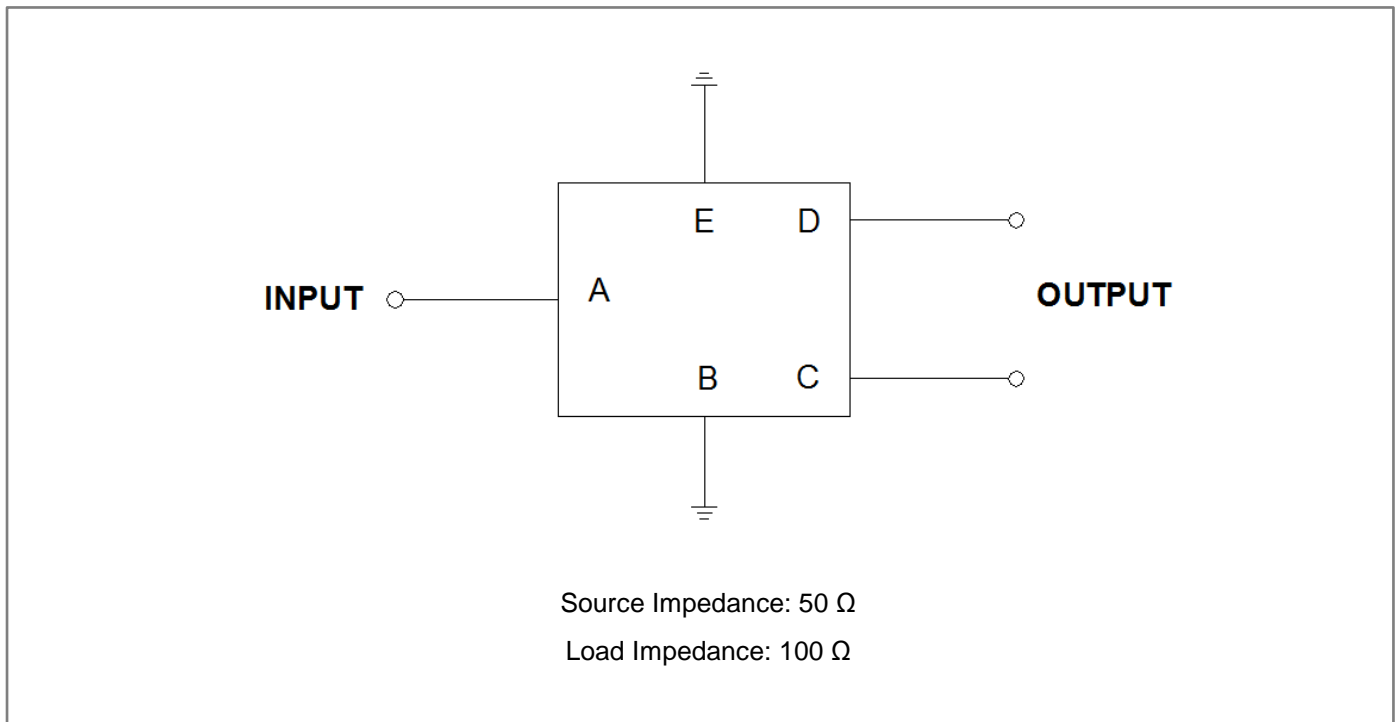
ELECTRICAL SPECIFICATION				
PARAMETERS DESCRIPTION	UNIT	MINIMUM	TYPICAL	MAXIMUM
Center Frequency (Fo)	MHz	-	881.5	-
Insertion Loss within 869.0 ~ 894.0 MHz	dB	-	2.4	2.8
Amplitude Ripple within 869.0 ~ 894.0 MHz	dB _{p-p}	-	0.6	1.2
Attenuation:				
DC ~ 824.0 MHz	dB	45	50	-
824.0 ~ 849.0 MHz	dB	40	55	-
914.0 ~ 950.0 MHz	dB	25	30	-
950.0 ~ 1150.0 MHz	dB	45	55	-
1150.0 ~ 1250.0 MHz	dB	50	60	-
1250.0 ~ 3000.0 MHz	dB	40	45	-
3000.0 ~ 6000.0 MHz	dB	35	38	-
VSWR within 869.0 ~ 894.0 MHz		-	2.0	2.2

Notes: (1) No Matching Network (Ref. Testing Environment Circuit as shown below).

Package Dimensions

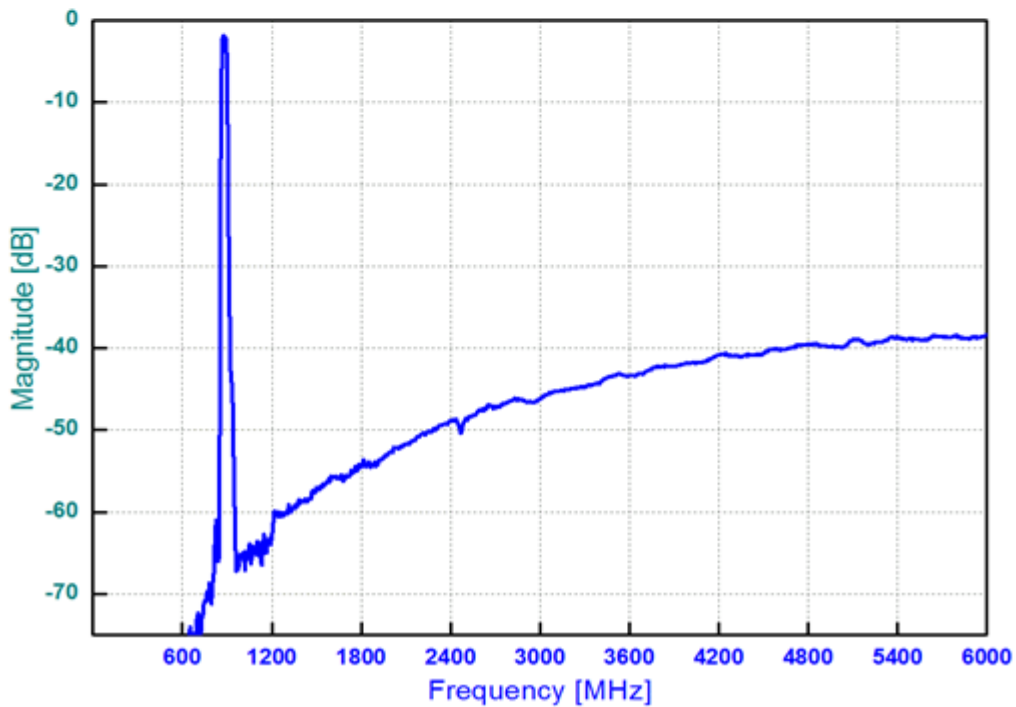
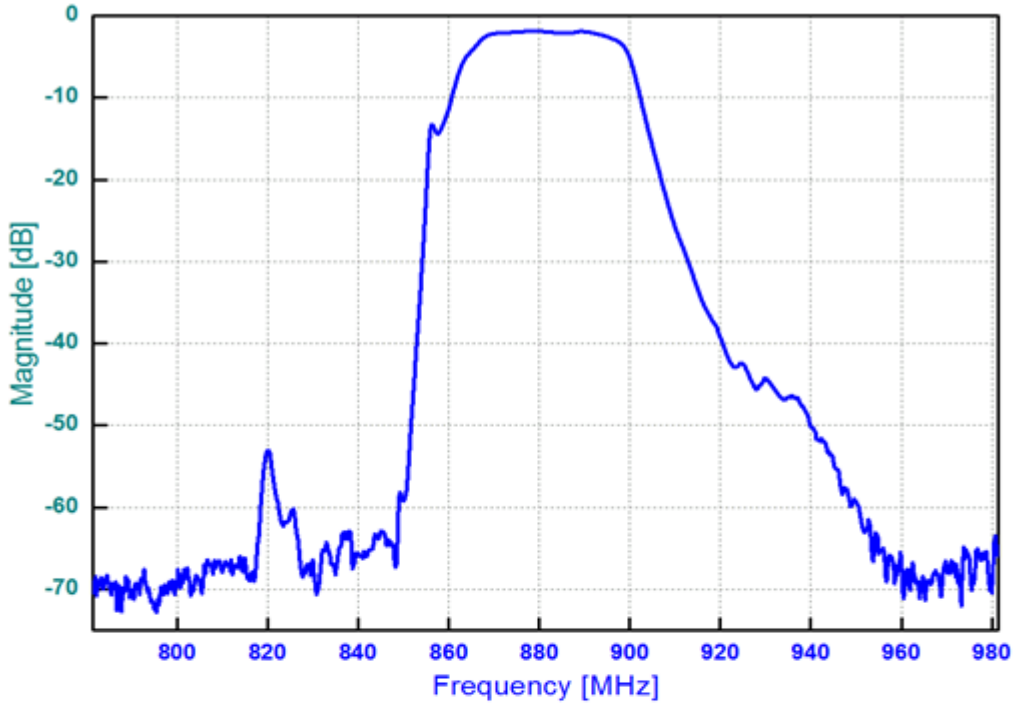


Testing Environment

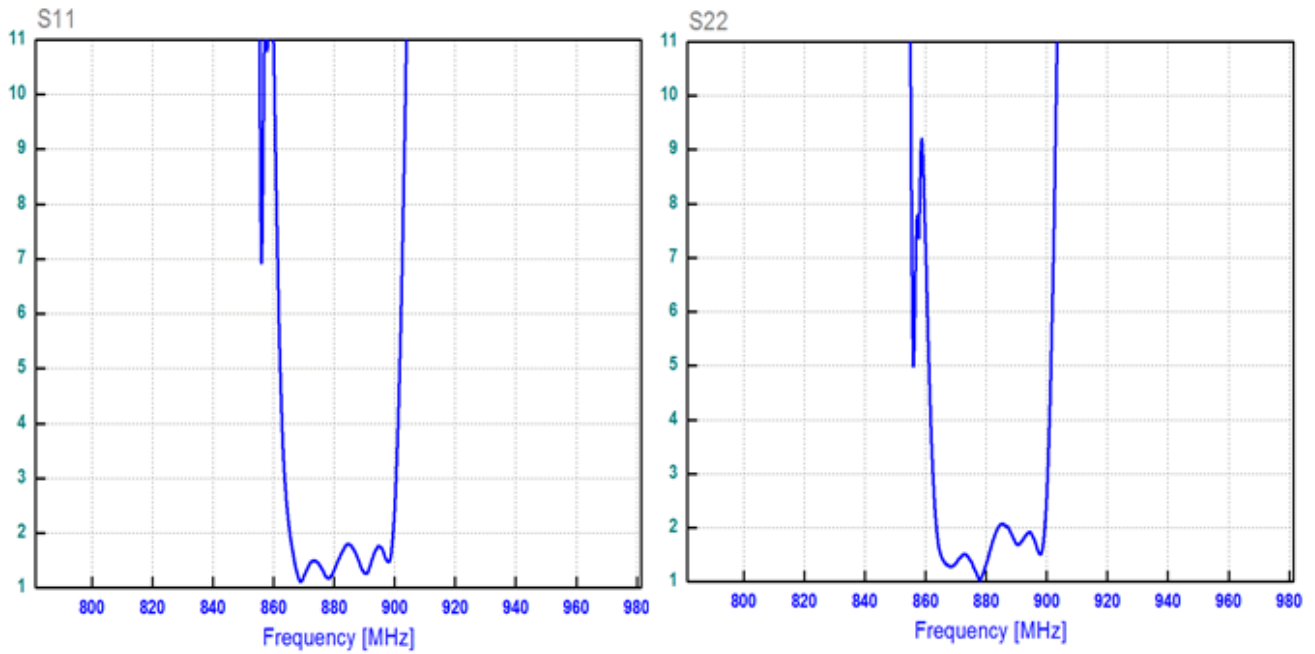


Frequency Characteristics

Frequency Response



VSWR



Smith Chart

