

- Band20, RF-Rx Balanced SAW Filter
- Preliminary: August 2013

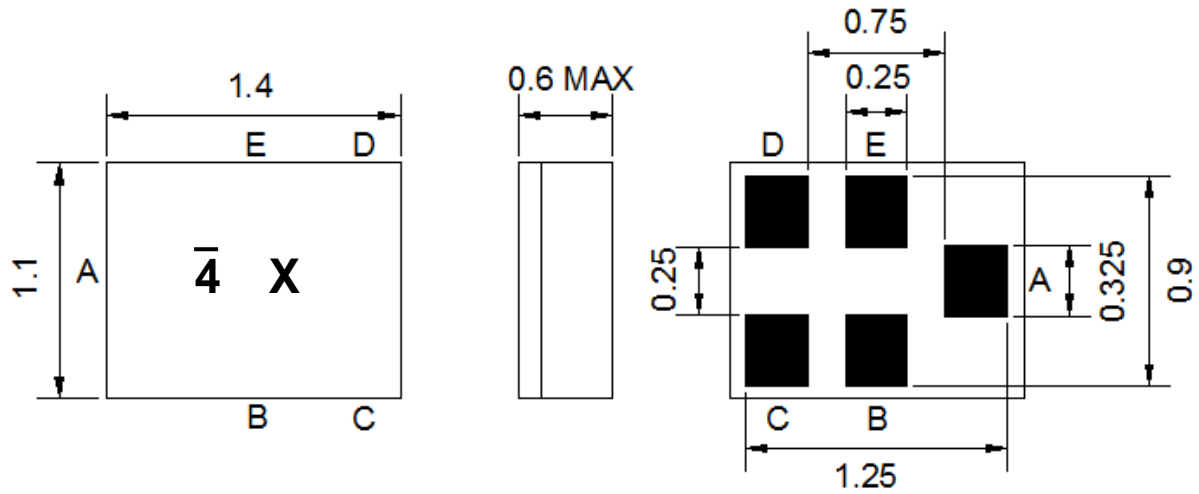
### Electrical Characteristics

MAXIMUM RATING				
PARAMETERS DESCRIPTION	UNIT	MINIMUM	TYPICAL	MAXIMUM
Operating Temperature Range	°C	-30	-	+85
Storage Temperature Range	°C	-40	-	+85
Maximum DC Voltage	V	-	-	0
Maximum Input Power	dBm	-	-	15
Source Impedance (unbalanced) <sup>(1)</sup>	Ω	-	50	-
Load Impedance (balanced) <sup>(1)</sup>	Ω	-	100	-
Package type & size	C23			
Length x Width	mm <sup>2</sup>	-	1.4 x 1.1	-
Height	mm	-	-	0.6

ELECTRICAL SPECIFICATION				
PARAMETERS DESCRIPTION	UNIT	MINIMUM	TYPICAL	MAXIMUM
Center Frequency (Fo)	MHz	-	806.0	-
Max.Insertion Loss within 791.0~821.0 MHz	dB	-	2.3	3.5
Amplitude Ripple within 791.0~821.0 MHz	dB <sub>p-p</sub>	-	0.9	2.0
<b>Attenuation:</b>				
0.3 ~ 760.0 MHz	dB	50	60	-
760.0 ~ 770.0 MHz	dB	30	34	-
832.0 ~ 862.0 MHz	dB	12	17	-
862.0 ~ 4000.0 MHz	dB	30	35	-
4000.0 ~ 6000.0 MHz	dB	25	32	-
6000.0 ~ 8500.0 MHz	dB	20	28	-
VSWR within 791.0~821.0 MHz	-	-	2.1	2.5

**Notes:** (1) With Matching Network (Ref. Testing Environment Circuit as shown below).

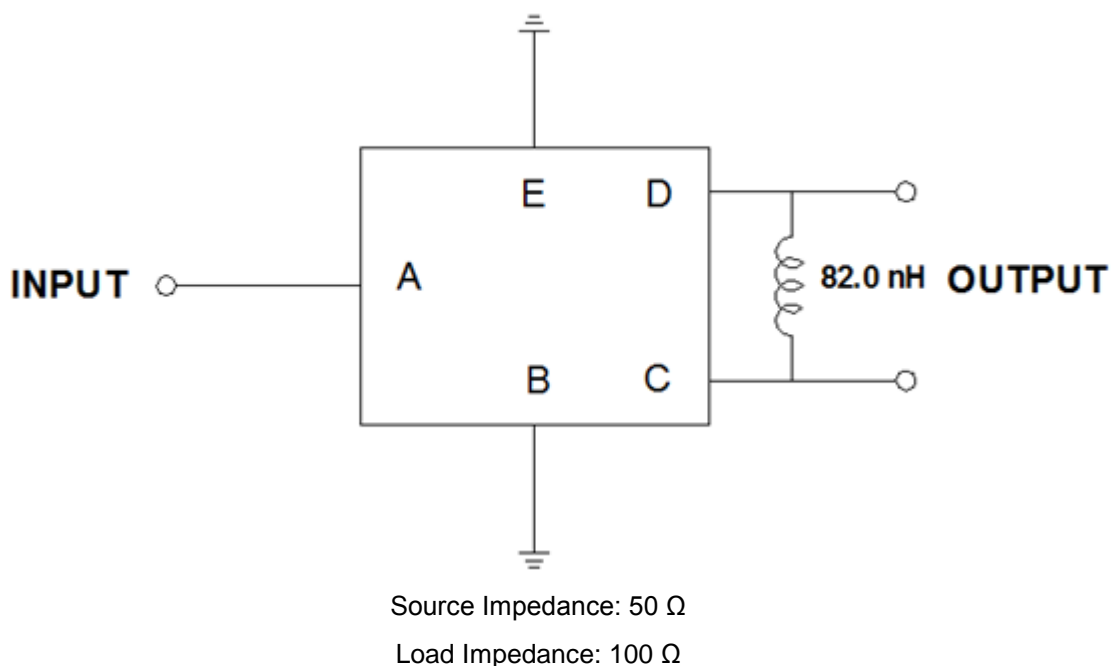
## Package Dimensions



Marking Descriptions	
4	Series Number
X	Date Code (Year+Month)

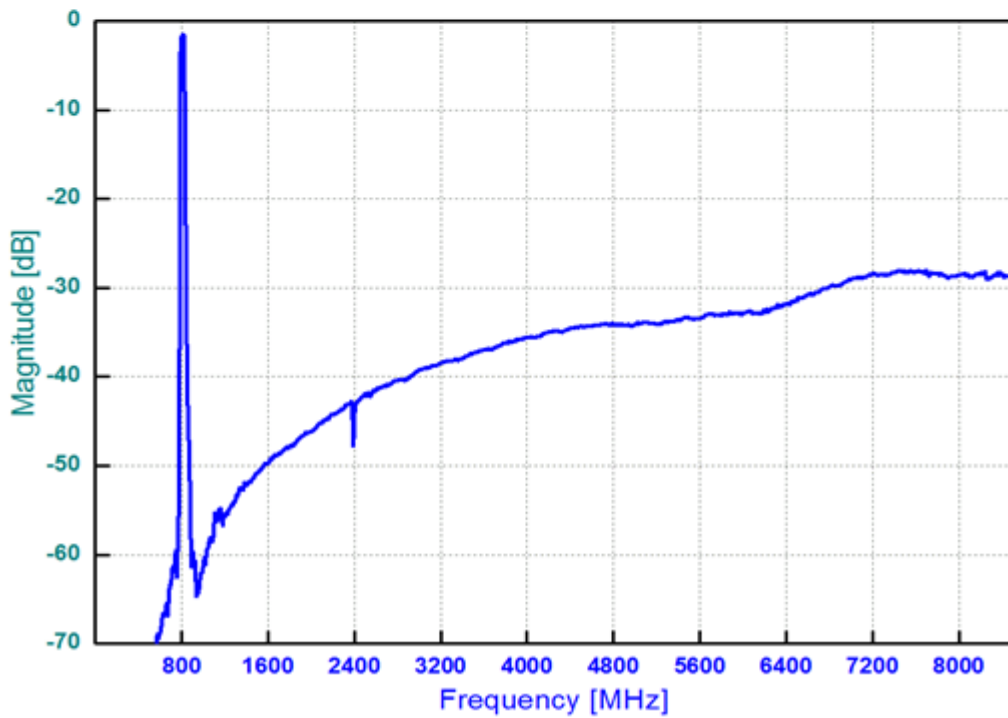
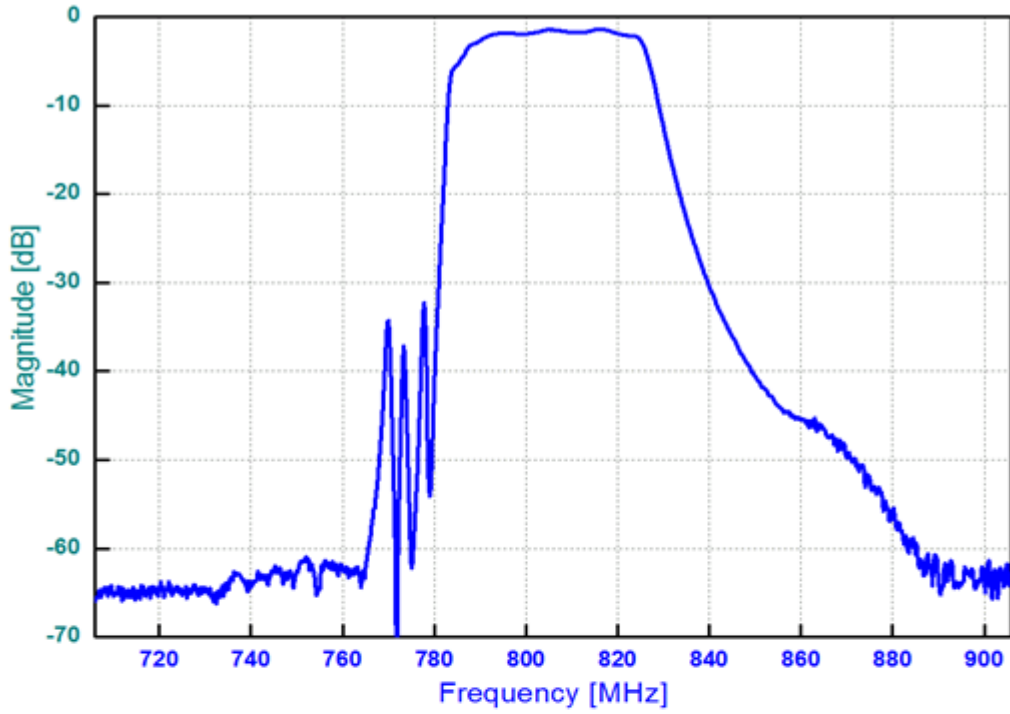
Pin Description	
B, E	Ground
A	Input
C, D	Balanced Output

## Testing Environment

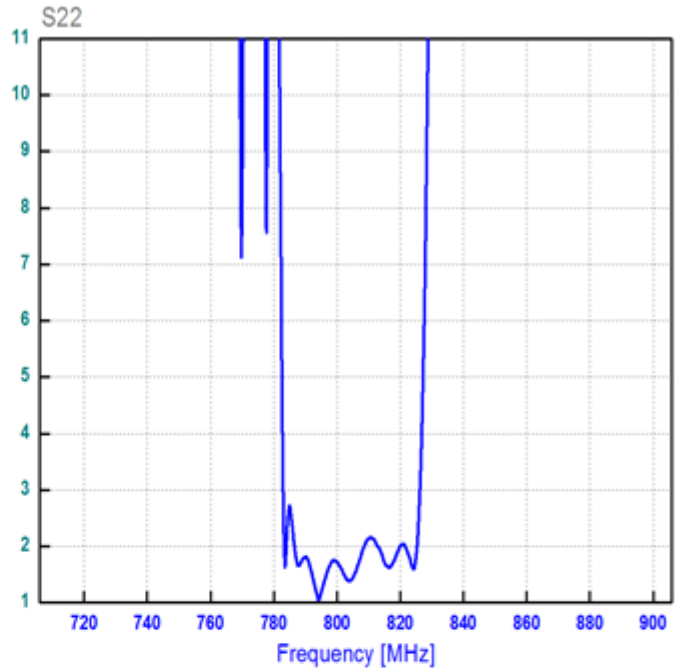
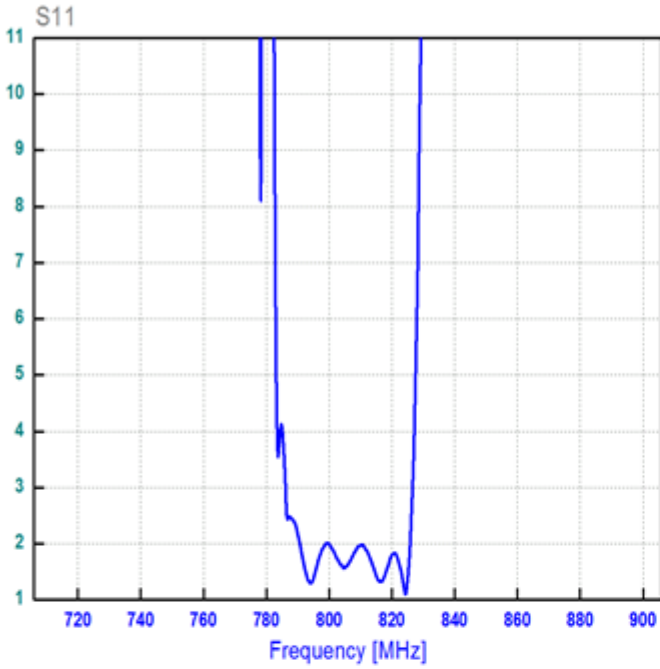


**Frequency Characteristics**

**Frequency Response**



**VSWR**



**Smith Chart**

