

- LTE 450, RF-Tx SAW Filter
- Revision 0: October 2013

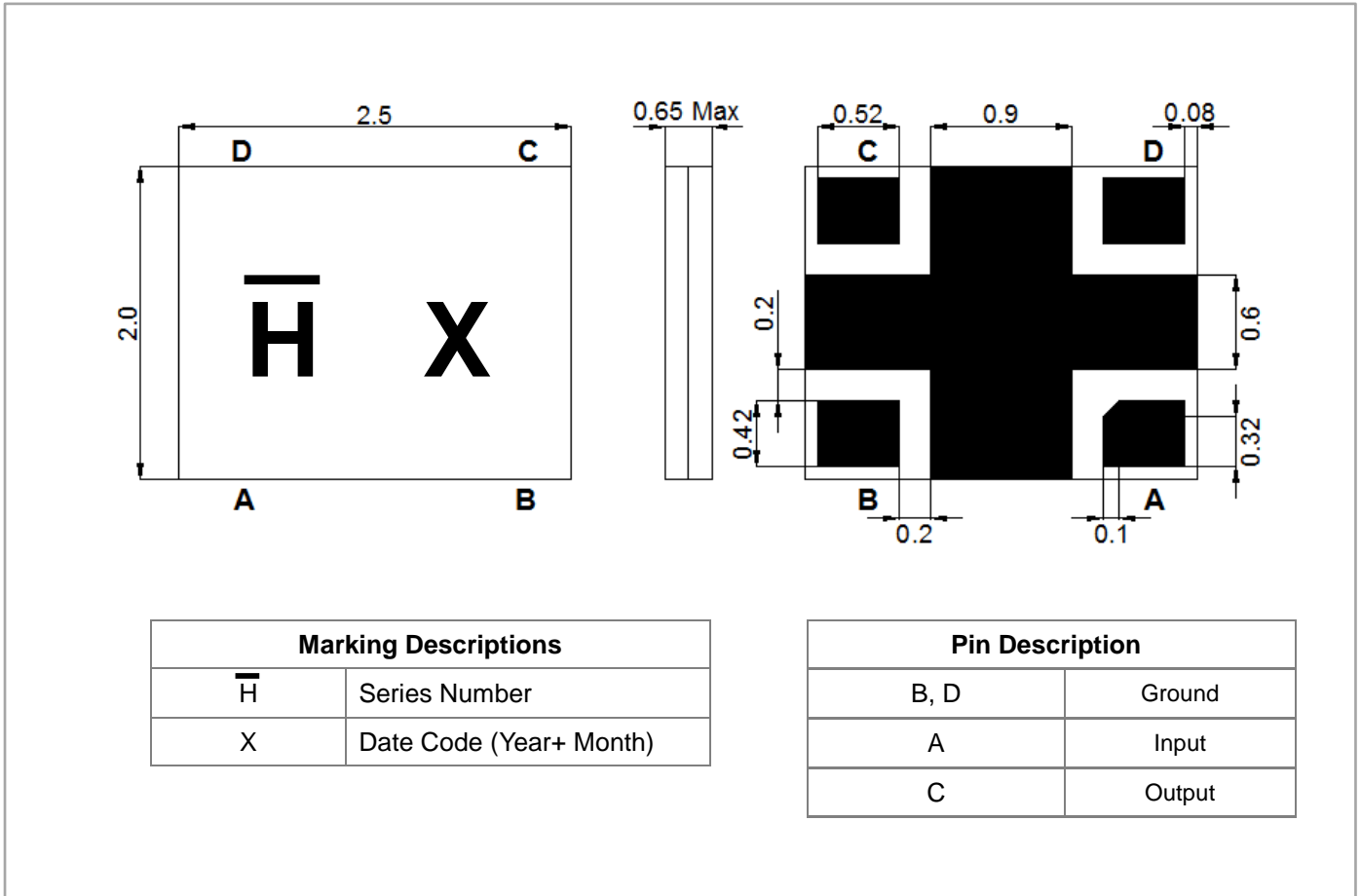
## Electrical Characteristics

MAXIMUM RATING				
PARAMETERS DESCRIPTION	UNIT	MINIMUM	TYPICAL	MAXIMUM
Operating Temperature Range	°C	-30	-	+85
Storage Temperature Range	°C	-40	-	+85
Maximum DC Voltage	V	-	-	0
Maximum Input Power	dBm	-	-	28
Source Impedance (single ended) <sup>(1)</sup>	Ω	-	50	-
Load Impedance (single ended) <sup>(1)</sup>	Ω	-	50	-
Package type & size	C55			
Length x Width	mm <sup>2</sup>	-	2.5x 2.0	-
Height	mm	-	-	0.65

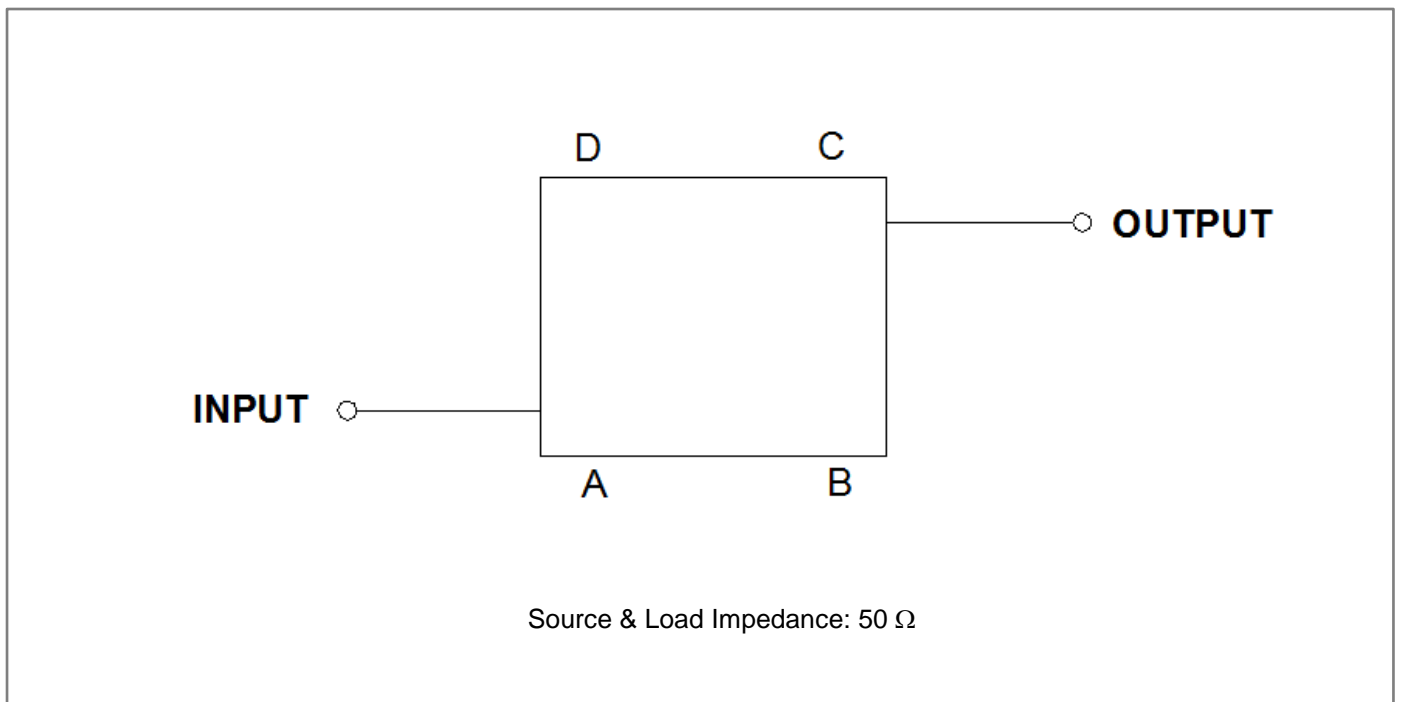
ELECTRICAL SPECIFICATION				
PARAMETERS DESCRIPTION	UNIT	MINIMUM	TYPICAL	MAXIMUM
Center Frequency (Fo)	MHz	-	455.0	-
Insertion Loss within 452.75 ~ 457.25 MHz Avg over any 0.9 MHz(inner 4.5 MHz)	dB	-	1.2	2.0
In-Band Ripple within 452.75 ~ 457.25 MHz	dB <sub>p-p</sub>	-	0.8	1.2
Input Return Loss(Tx Port) within 452.75 ~ 457.25 MHz	dB	8	10	-
Output Return Loss(Ant. Port) within 452.75 ~ 457.25 MHz	dB	8	10	-
Rx Band Rejection within 462.75 ~ 467.25 MHz	dB	40	53	-
Rx image Band within 442.75 ~ 447.25 MHz	dB	27	30	-
<b>Absolute Attenuation:</b>				
10.0 ~ 430.0 MHz	dB	25	29	-
480.0 ~ 1100.0 MHz	dB	25	30	-
1200.0 ~ 1500.0 MHz	dB	25	33	-
1574.0 MHz	dB	30	38	-
1600.0 ~ 4000.0 MHz	dB	20	27	-

**Notes :** (1) No Matching Network .

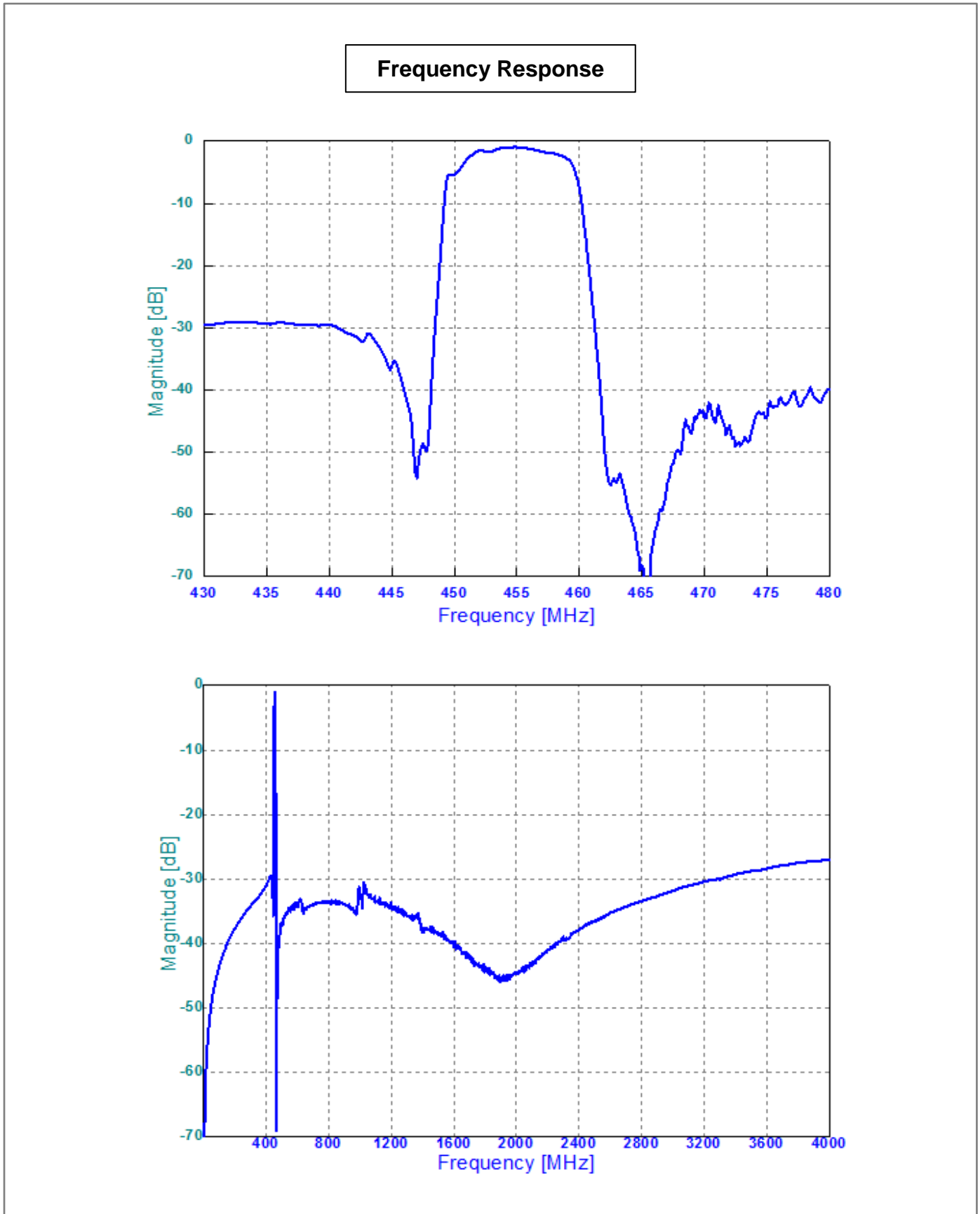
## Package Dimensions



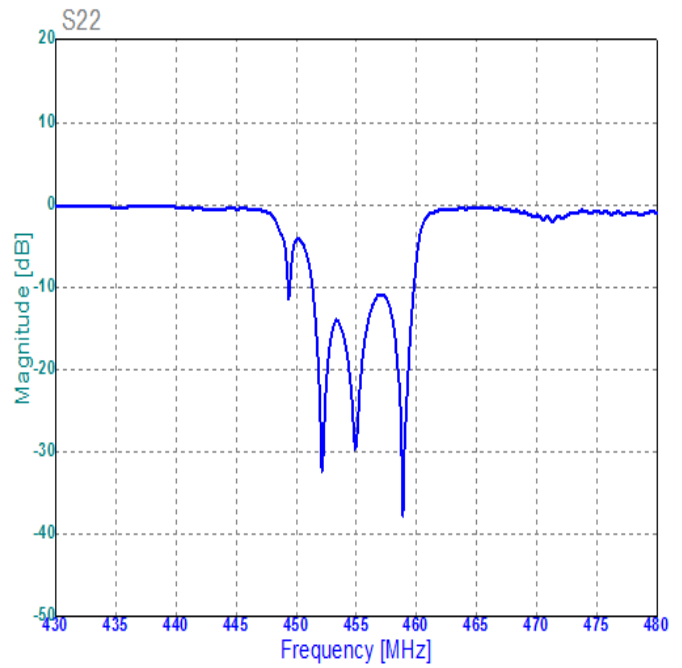
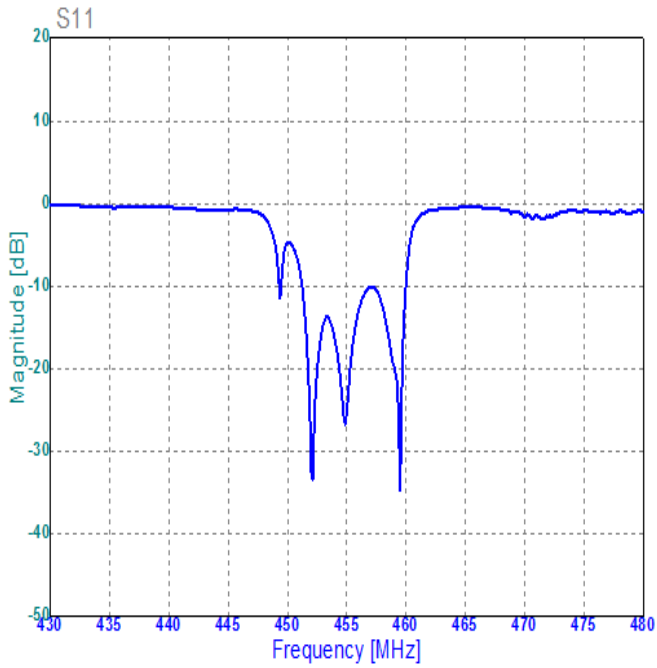
## Testing Environment



**Frequency Characteristics**



**Return Loss**



**Smith Chart**

