

- LTE 450, RF-Tx SAW Filter
- Revision 0: October 2013

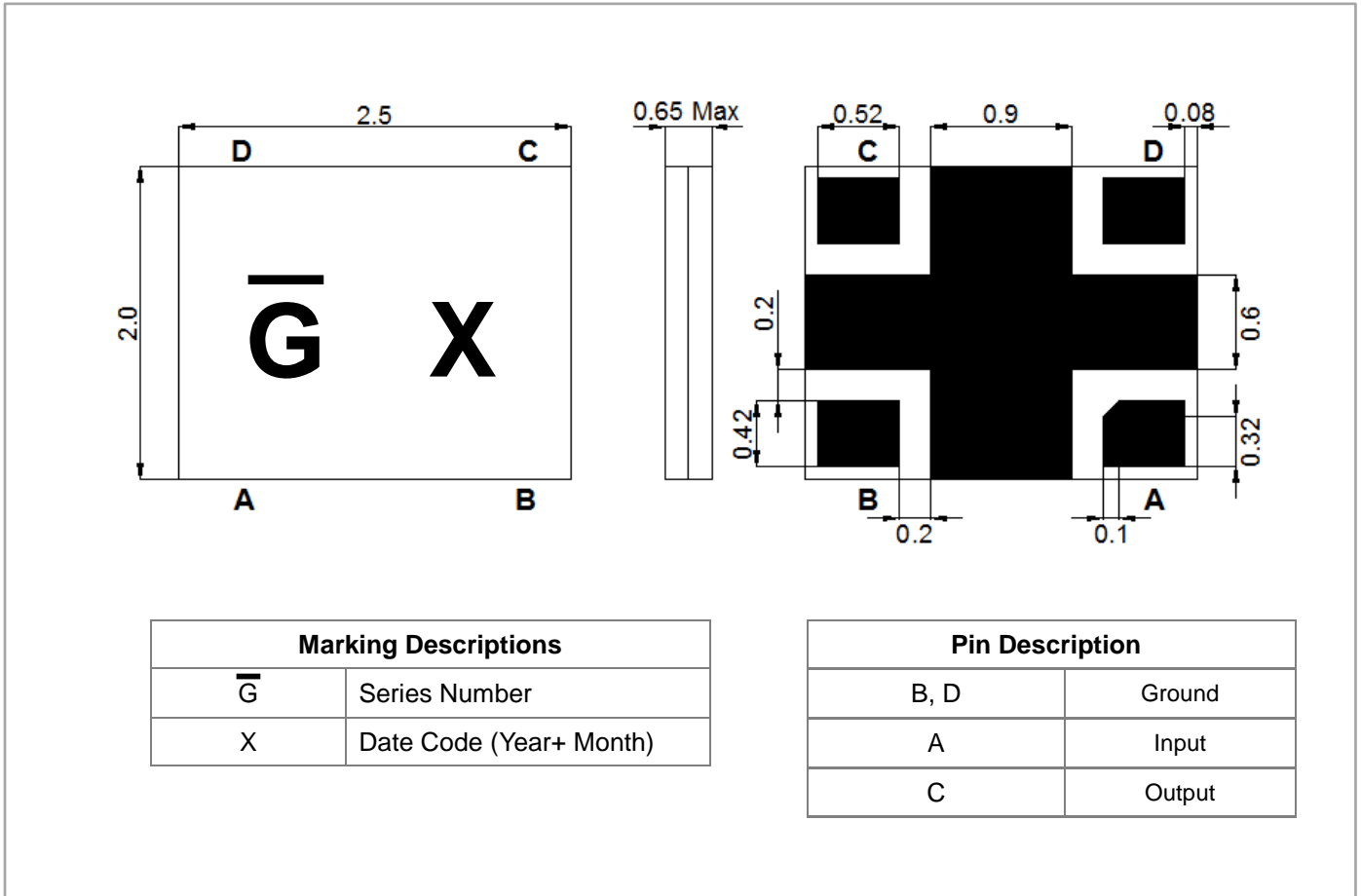
Electrical Characteristics

MAXIMUM RATING				
PARAMETERS DESCRIPTION	UNIT	MINIMUM	TYPICAL	MAXIMUM
Operating Temperature Range	°C	-30	-	+85
Storage Temperature Range	°C	-40	-	+85
Maximum DC Voltage	V	-	-	0
Maximum Input Power	dBm	-	-	28
Source Impedance (single ended) ⁽¹⁾	Ω	-	50	-
Load Impedance (single ended) ⁽¹⁾	Ω	-	50	-
Package type & size	C55			
Length x Width	mm ²	-	2.5x 2.0	-
Height	mm	-	-	0.65

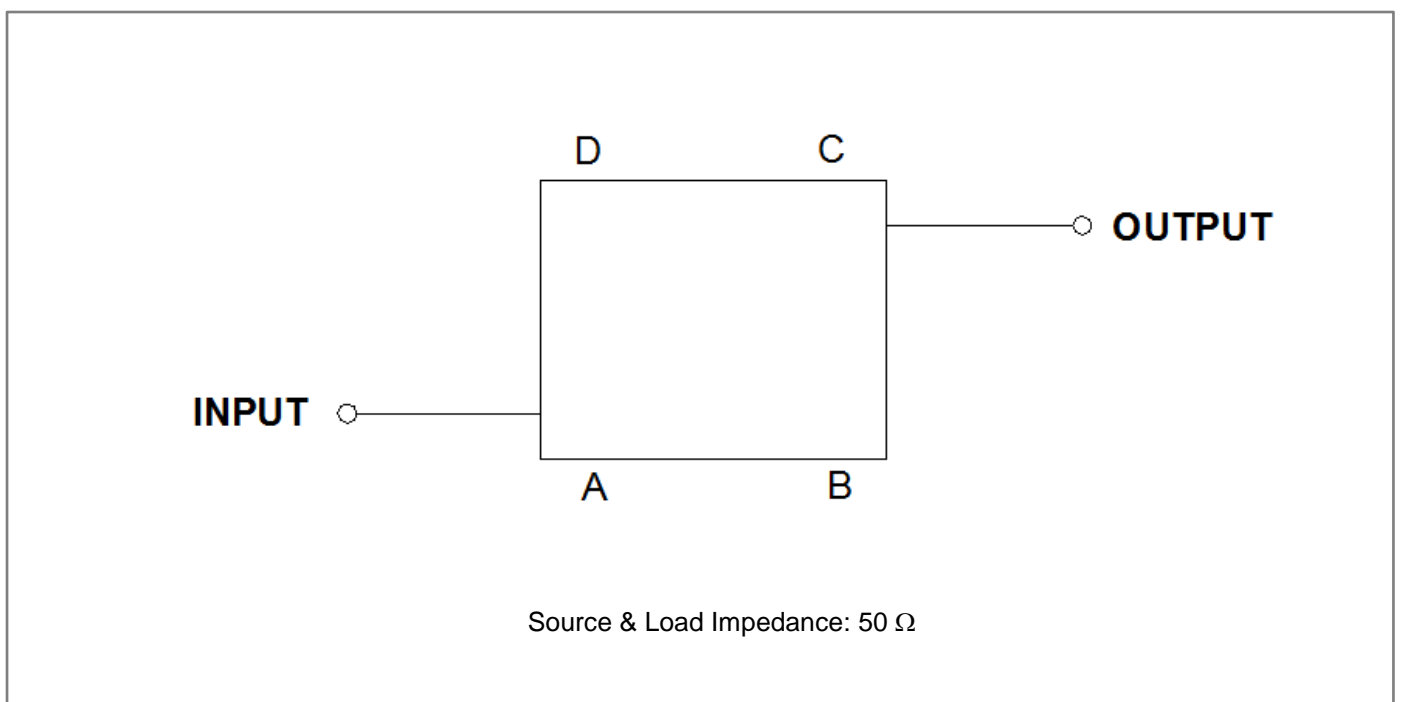
ELECTRICAL SPECIFICATION				
PARAMETERS DESCRIPTION	UNIT	MINIMUM	TYPICAL	MAXIMUM
Center Frequency (Fo)	MHz	-	455.0	-
Insertion Loss within 452.75 ~ 457.25 MHz Avg over any 0.9 MHz(inner 4.5 MHz)	dB	-	1.3	2.0
In-Band Ripple within 452.75 ~ 457.25 MHz	dB _{p-p}	-	0.5	1.0
Input Return Loss(Tx Port) within 452.75 ~ 457.25 MHz	dB	10	17	-
Output Return Loss(Ant. Port) within 452.75 ~ 457.25 MHz	dB	10	17	-
Rx Band Rejection within 462.75 ~ 467.25 MHz	dB	40	50	-
Rx image Band within 442.75 ~ 447.25 MHz	dB	7	10	-
Absolute Attenuation:				
10.0 ~ 430.0 MHz	dB	25	28	-
480.0 ~ 1100.0 MHz	dB	25	28	-
1200.0 ~ 1500.0 MHz	dB	25	32	-
1574.0 MHz	dB	30	35	-
1600.0 ~ 4000.0 MHz	dB	20	27	-

Notes : (1) No Matching Network .

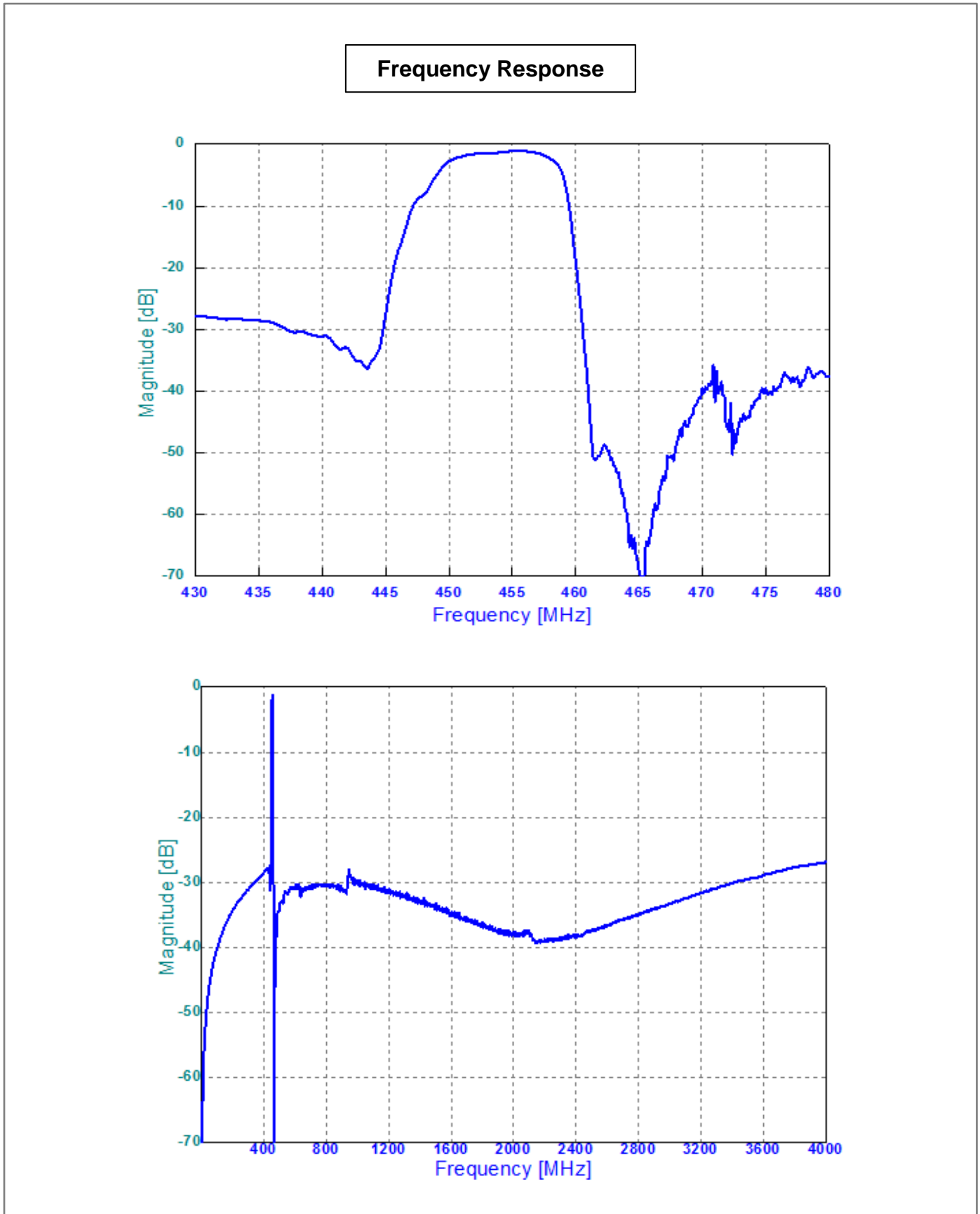
Package Dimensions



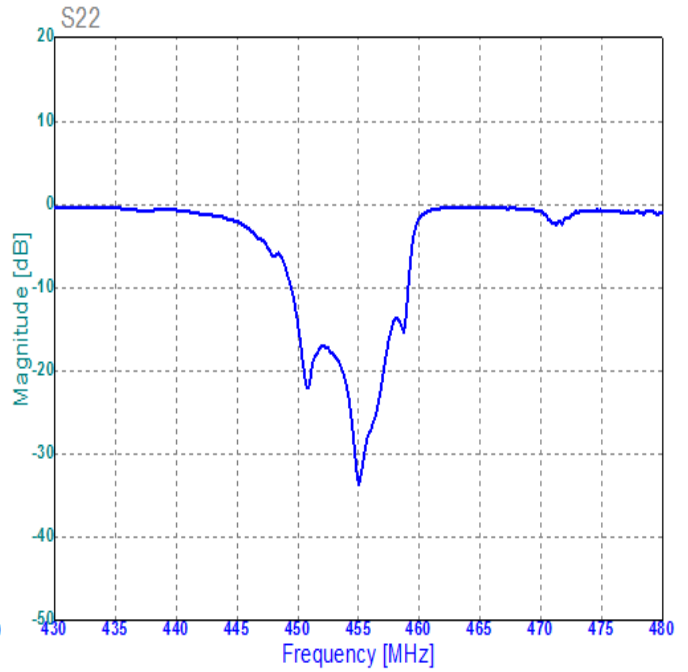
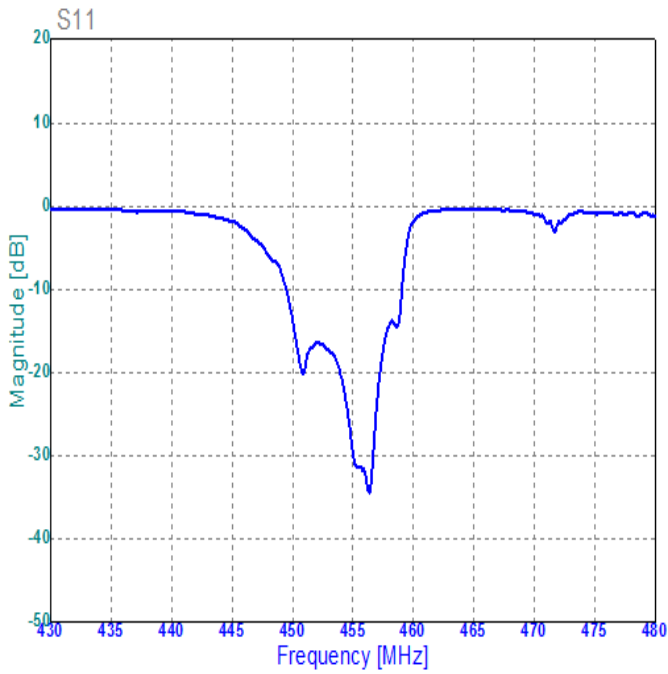
Testing Environment



Frequency Characteristics



Return Loss



Smith Chart

