

- Remote Control, RF SAW Filter
- Revision 0: July 2004

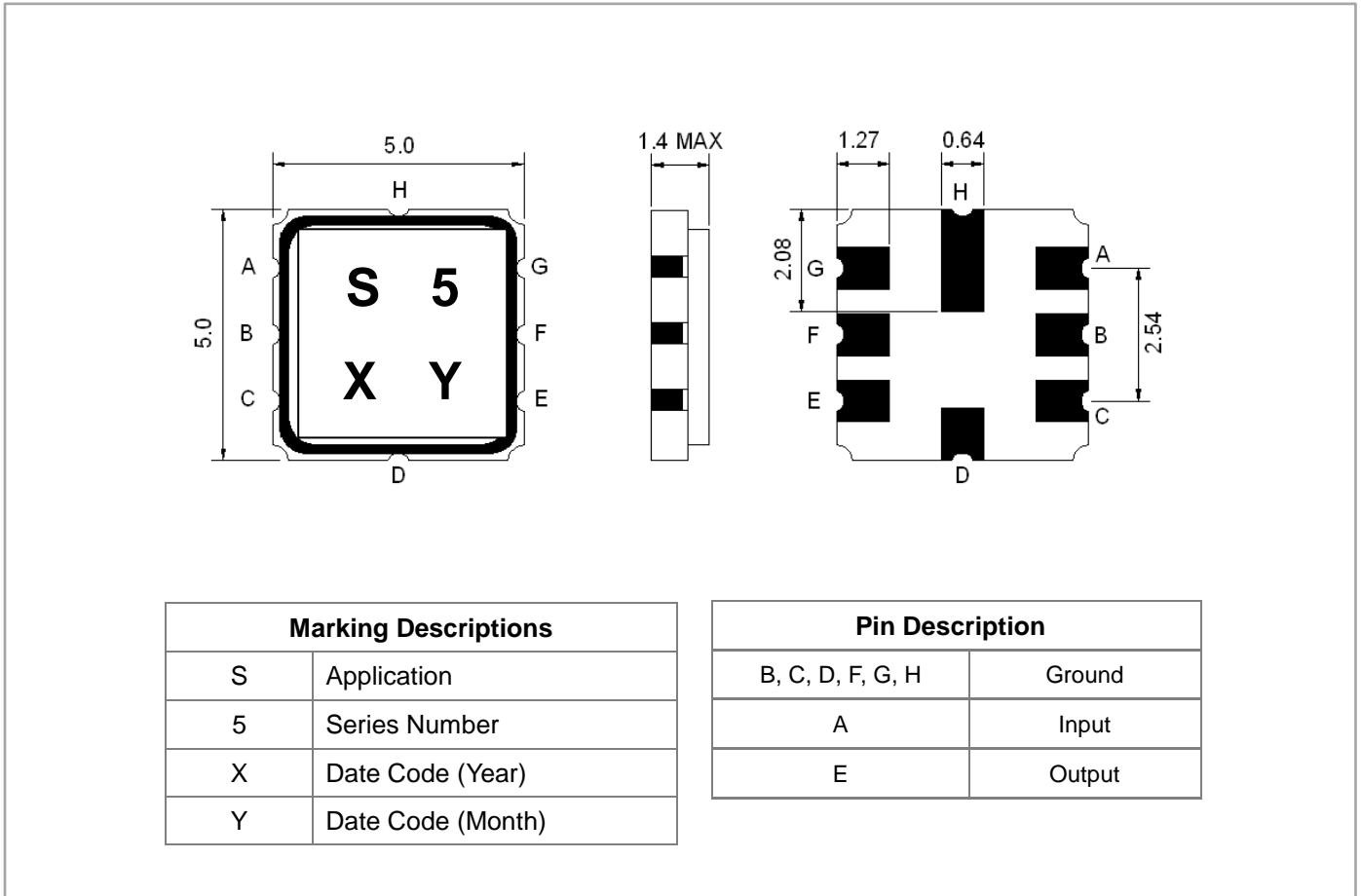
## Electrical Characteristics

| MAXIMUM RATING                                 |                 |         |           |         |
|--|-----------------|---------|-----------|---------|
| PARAMETERS DESCRIPTION                         | UNIT            | MINIMUM | TYPICAL   | MAXIMUM |
| Operating Temperature Range                    | °C              | -40     | -         | +105    |
| Storage Temperature Range                      | °C              | -40     | -         | +85     |
| Maximum DC Voltage                             | V               | -       | -         | 10      |
| Maximum Input Power                            | dBm             | -       | -         | 0       |
| Source Impedance (single ended) <sup>(1)</sup> | Ω               | -       | 50        | -       |
| Load Impedance (single ended) <sup>(1)</sup>   | Ω               | -       | 50        | -       |
| Package type & size                            | K               |         |           |         |
| Length x Width                                 | mm <sup>2</sup> | -       | 5.0 x 5.0 | -       |
| Height   | mm              | -       | -         | 1.4     |

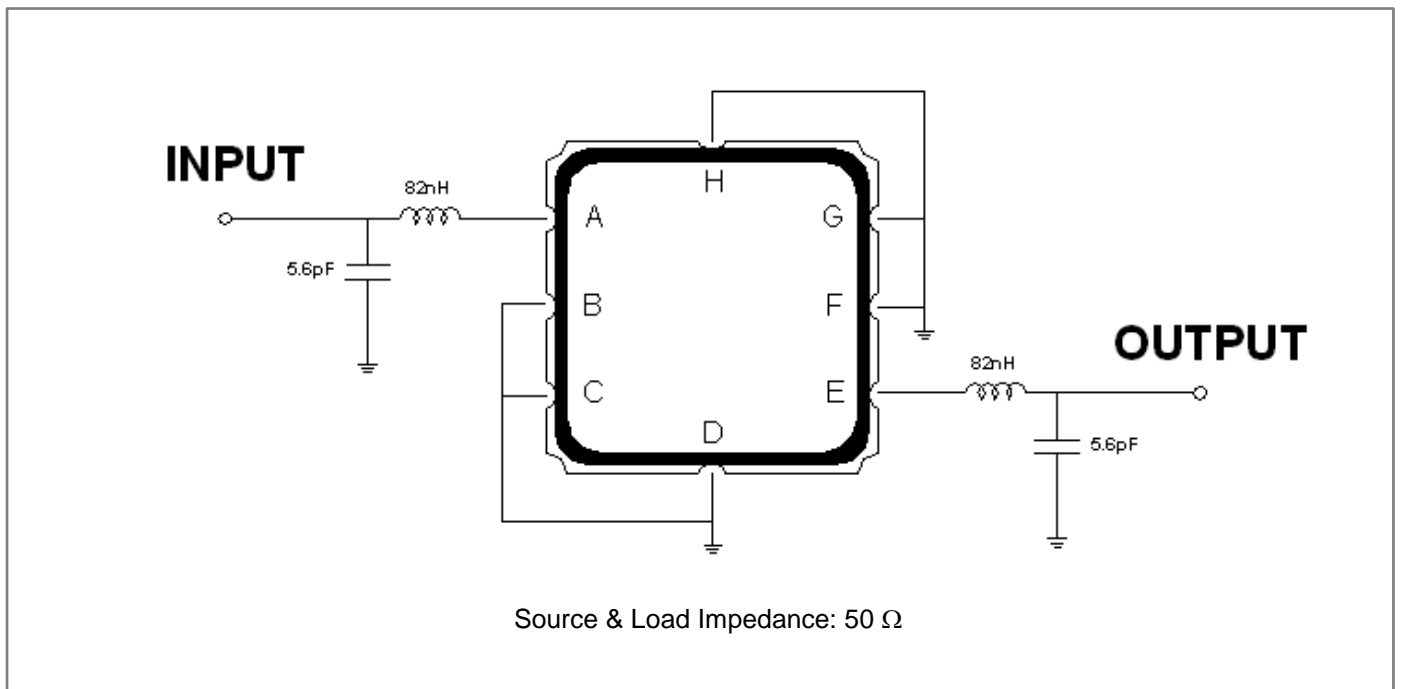
| ELECTRICAL SPECIFICATION                      |      |         |         |         |
|---|------|---------|---------|---------|
| PARAMETERS DESCRIPTION                        | UNIT | MINIMUM | TYPICAL | MAXIMUM |
| Center Frequency (Fo)                         | MHz  | -       | 315.0   | -       |
| Minimum Insertion Loss in 314.80 ~ 315.20 MHz | dB   | -       | 3.0     | 5.0     |
| Passband (relative to IL min)                 |      |         |         |         |
| 314.75 ~ 315.24 MHz                           | dB   | -       | 1.5     | 3.0     |
| 314.69 ~ 315.30 MHz                           | dB   | -       | 2.0     | 6.0     |
| Stop Band Attenuation:                        |      |         |         |         |
| 10 ~ 270.0 MHz                                | dB   | 45      | 50      | -       |
| 270.0 ~ 309.0 MHz                             | dB   | 35      | 40      | -       |
| 309.0 ~ 314.0 MHz                             | dB   | 15      | 20      | -       |
| 316.0 ~ 335.0 MHz                             | dB   | 10      | 15      | -       |
| 335.0 ~ 400.0 MHz                             | dB   | 35      | 40      | -       |
| 400.0 ~ 1000.0 MHz                            | dB   | 45      | 50      | -       |

**Notes:** (1) With Matching Network .

## Package Dimensions



## Testing Environment



**Frequency Characteristics**

**Frequency Response**

