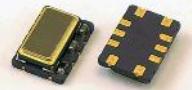


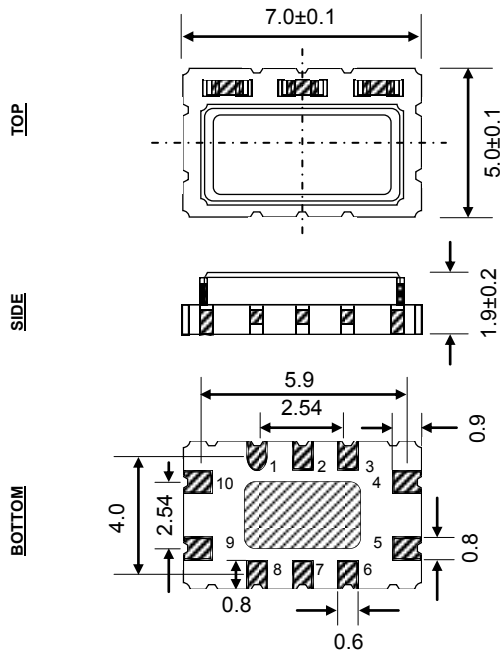
**STRATUM III MINIATURE CERAMIC SMD TCXO / VCTCXO (7.0 x 5.0 x 1.9mm)**
**FEATURES**

- STRATUM III APPLICATION
- $\pm 4.6$ ppm OVERALL PERFORMANCE INCLUDING 20 YEAR AGING
- CMOS or CLIPPED SINEWAVE OUTPUT OPTION


**■ SPECIFICATION**

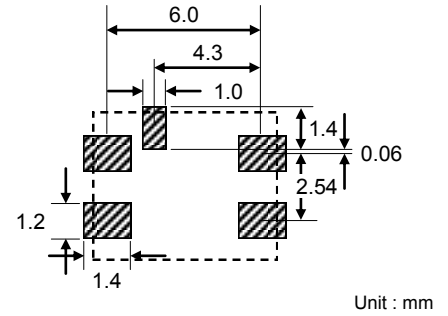
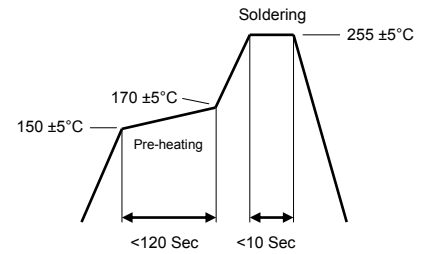
PARAMETER		MIN.	TYP.	MAX.	UNIT	NOTE	
FREQUENCY RANGE		5		26	MHz		
STANDARD FREQUENCIES		CMOS 8.192M, 10M, 12.8M, 20M					
		CSW 8.192M, 10M, 12.8M, 16.384M, 19.2M, 19.44M, 20M, 25M, 26M					
FREQUENCY OVERALL STABILITY				$\pm 4.6$	ppm	20Years including calibration	
FREQUENCY STABILITY	vs. TEMPERATURE RANGE			$\pm 0.28$	ppm	See P/N guide for other options	
	vs. LOAD $\pm 10\%$			$\pm 0.2$	ppm		
	vs. SUPPLY VOLTAGE $\pm 5\%$			$\pm 0.2$	ppm		
	vs. AGING			$\pm 1.0$	ppm/year	@ 25°C	
OPERATING TEMPERATURE RANGE		-40		85	°C	See P/N guide for other options	
STORAGE TEMPERATURE RANGE		-55		125	°C		
SUPPLY VOLTAGE $\pm 5\%$		3.3		5.0	V	See P/N guide for other options	
SUPPLY CURRENT		CMOS		6.0	mA		
		CSW		3.5	mA		
OUTPUT	LOGIC FAMILY		CMOS / Clipped Sine Wave				
	LOAD		CMOS		15pF		
			CSW		10k $\Omega$ //10pF		
	LEVEL		CMOS (V <sub>OH</sub> )		0.9 x V <sub>DD</sub>	V	
			CMOS (V <sub>OL</sub> )			0.1 x V <sub>DD</sub>	
			CSW		0.8	V <sub>P-P</sub>	
	SYMMETRY (DUTY CYCLE)		45		55	%	CMOS only
	RISE AND FALL TIME (Tr/Tf)				10	nS	CMOS only
START-UP TIME				2	mS		
STAND-BY VOLTAGE		ENABLE (V <sub>IH</sub> )		0.7 x V <sub>DD</sub>	V		
		DISABLE (V <sub>IL</sub> )			0.3 x V <sub>DD</sub>	V	
FREQUENCY DEVIATION		$\pm 5$		$\pm 8$	ppm		
CONTROL VOLTAGE		3.3V		0.5	2.5	V	
		5.0V		0.5	2.5	V	
INPUT IMPEDANCE		0.1			M $\Omega$		
PHASE NOISE		100Hz			-120	dBc/Hz	
		1kHz			-140	dBc/Hz	
		10kHz			-148	dBc/Hz	
						@ 12.8MHz	

Transko Electronics, Inc reserves the right to make changes to the product (s), service (s), and specification (s) described herein without notice. See "Terms of Sale" for details on our website.

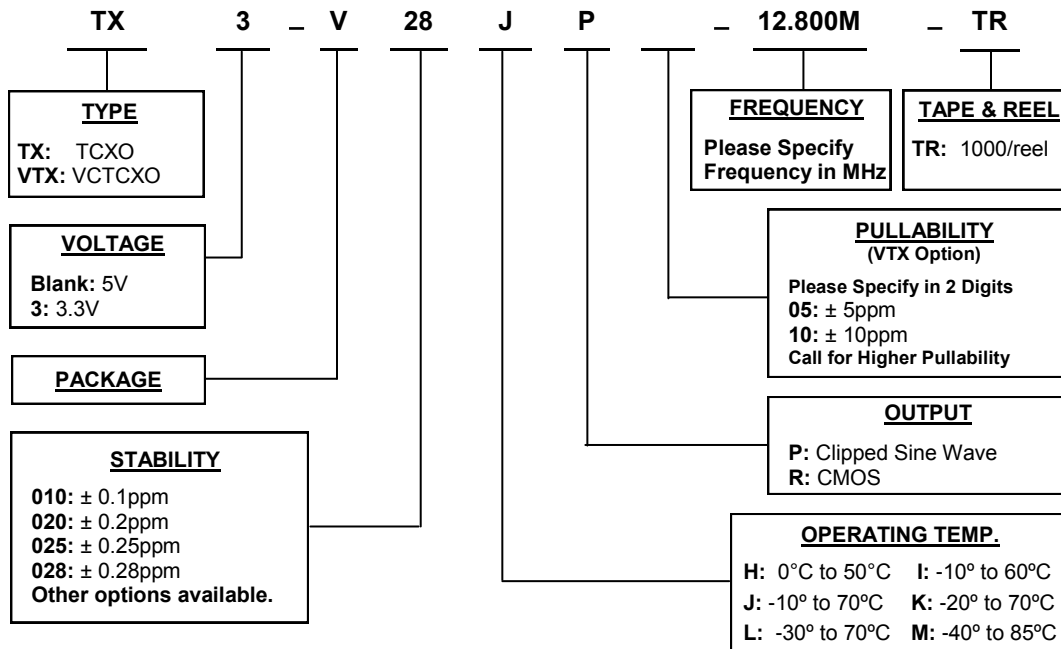
**■ PACKAGE DIMENSIONS**


Unit : mm

Pin Configuration	
1,2,3,6,7	N/C
9	V <sub>DD</sub>
4	GND
5	Output
8	Tristate
10	V <sub>c</sub> or GND

**■ SOLDER PATTERN**

**■ REFLOW PROFILE**


Note: Consult factory for detail

**■ PART NUMBERING GUIDE**


Transko Electronics, Inc reserves the right to make changes to the product (s), service (s), and specification (s) described herein without notice. See "Terms of Sale" for details on our website.