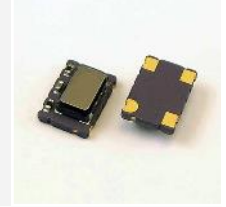


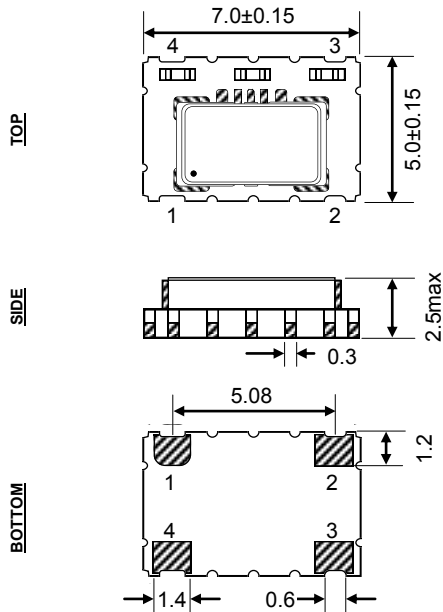
**(VC)TCXO MINIATURE CERAMIC SMD (7.0 x 5.0 x 2.5mm)**
**FEATURES:**

- HIGH FREQUENCY UPTO 156.000MHz
- CMOS OUTPUT
- TIGHT STABILITY  $\pm 1.0$ ppm vs.  $-40^{\circ}\text{C}$  TO  $85^{\circ}\text{C}$


**■ SPECIFICATION**

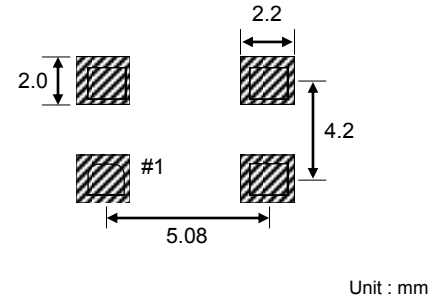
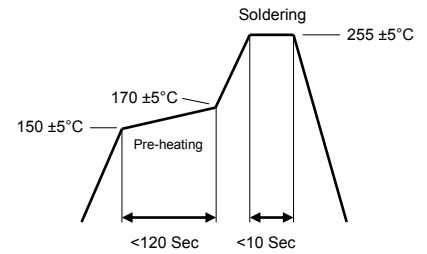
PARAMETER		MIN.	TYP.	MAX.	UNIT	NOTE
FREQUENCY RANGE		1.25		156.25	MHz	
FREQUENCY TOLERANCE				$\pm 2.0$	ppm	@ $25^{\circ}\text{C} \pm 2^{\circ}\text{C}$
FREQUENCY STABILITY	vs. TEMPERATURE RANGE	$\pm 0.5^*$	$\pm 1.0$	$\pm 5.0$	ppm	See P/N guide for other options
	vs. LOAD $\pm 10\%$			$\pm 0.3$	ppm	
	vs. SUPPLY VOLTAGE $\pm 5\%$			$\pm 0.3$	ppm	
	vs. AGING			$\pm 1.0$	ppm/year	@ $25^{\circ}\text{C}$
OPERATING TEMPERATURE RANGE		-40		85	$^{\circ}\text{C}$	See P/N guide for other options
STORAGE TEMPERATURE RANGE		-50		100	$^{\circ}\text{C}$	
SUPPLY VOLTAGE $\pm 5\%$		3.3		5.0	V	See P/N guide for other options
SUPPLY CURRENT	$V_{\text{DD}} = 3.3\text{V}$			35.0	mA	
	$V_{\text{DD}} = 5.0\text{V}$			50.0	mA	
OUTPUT	LOGIC FAMILY	CMOS				
	LOAD	15pF				
	LEVEL LOGIC '1' ( $V_{\text{OH}}$ )	$0.9 \times V_{\text{DD}}$			V	
	LEVEL LOGIC '0' ( $V_{\text{OL}}$ )			$0.1 \times V_{\text{DD}}$	V	
	SYMMETRY (DUTY CYCLE)	40		60	%	See P/N guide for other options
	RISE AND FALL TIME ( $T_{\text{r}}/T_{\text{f}}$ )			10	nS	
	START-UP TIME		5.0	10.0	mS	
FREQUENCY DEVIATION		$\pm 5$			ppm	@ $V_{\text{c}} = 1.5 \pm 1.0\text{V}$
CONTROL VOLTAGE		0.5	1.5	2.5	V	
SLOPE		Positive				
LINEARITY				10%		@ -3dB, $V_{\text{c}} = 1.5\text{V} \pm 1.0\text{V}$
MODULATION BANDWIDTH		3			kHz	Measured @ -3dB
INPUT IMPEDANCE		1.0			M $\Omega$	
PHASE NOISE	10Hz		-80		dBc/Hz	@ 10.0MHz
	100Hz		-115		dBc/Hz	
	1kHz		-135		dBc/Hz	
	10kHz		-138		dBc/Hz	
	100kHz		-142		dBc/Hz	
	1MHz		-148		dBc/Hz	
	10MHz		-150		dBc/Hz	

*Transko Electronics, Inc reserves the right to make changes to the product (s), service (s), and specification (s) described herein without notice. See "Terms of Sale" for details on our website.*

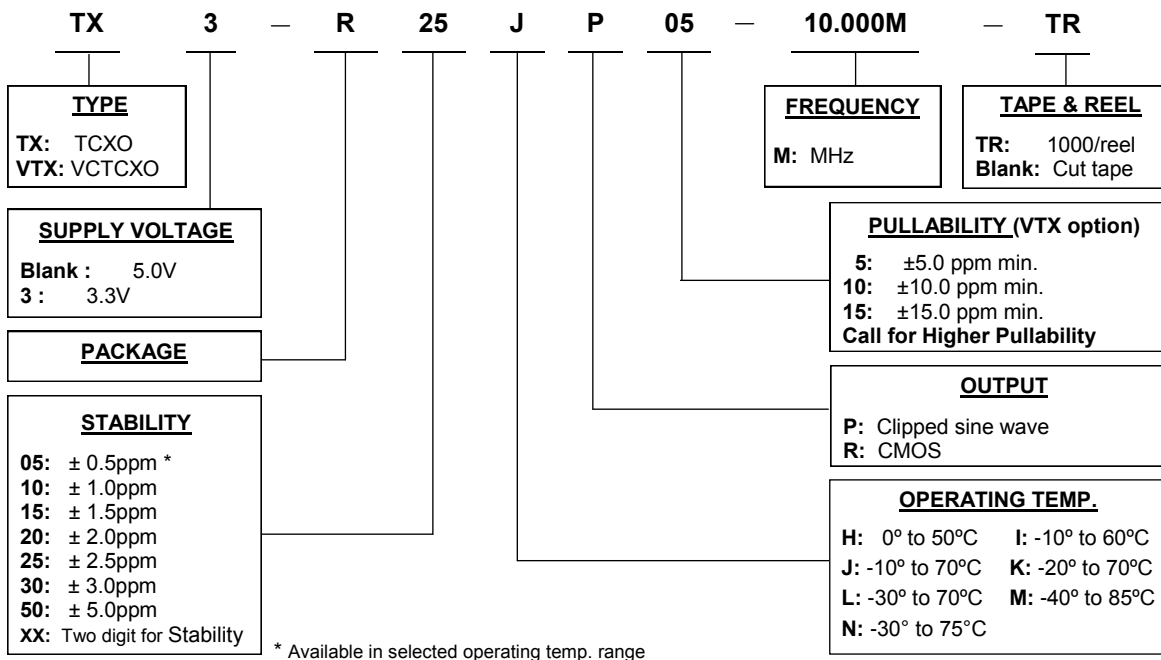
**PACKAGE DIMENSIONS**


Unit : mm

Pin Configuration	
1	N/C or Vc
2	GND
3	Output
4	V <sub>DD</sub>

**SOLDER PATTERN**

**REFLOW PROFILE**


Note: Consult factory for detail

**PART NUMBERING GUIDE**


Transko Electronics, Inc reserves the right to make changes to the product (s), service (s), and specification (s) described herein without notice. See "Terms of Sale" for details on our website.