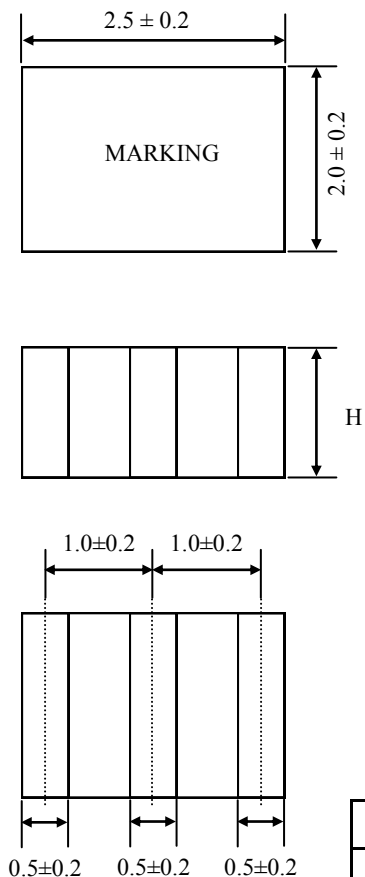


CERAMIC RESONATORS (2.0 X 2.5 X 1.2 / 0.55 mm)
FEATURES:

- BUILT IN LOAD CAPACITANCE
- ULTRA-SMALL TRUE SURFACE MOUNTABLE
- CAN BE REFLOW SOLDERED
- AVAILABLE IN TAPE AND REEL PACKAGING

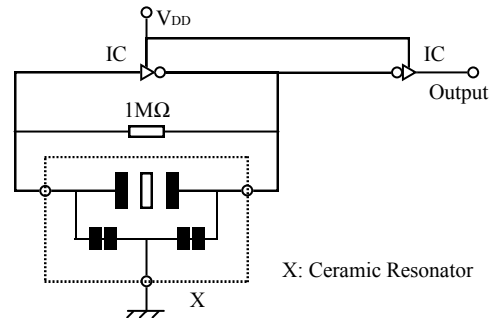

■ SPECIFICATION

FREQUENCY RANGE	16.93 ~ 60.00 MHz
FREQ. ACCURACY @ 25°C	± 0.5 %, ± 0.3 %, ± 0.15 %
TEMPERATURE STABILITY	± 0.2 %, ± 0.08 %
TEMPERATURE RANGE	-20°C to 80°C
AGING	10years ± 0.1 %, ± 0.01%

■ PACKAGE DIMENSIONS


Type	H(Max)
A	1.6mm
B	1.4mm

Unit:mm

■ TEST CIRCUIT


Type	ZTTCW
Frequency	16.93~60MHz
IC	TC74HCU04
V _{DD}	+5V

Transko Electronics, Inc reserves the right to make changes to the product (s), service (s), and specification (s) described herein without notice. See "Terms of Sale" for details on our website.