

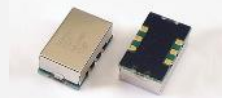
OCXO - 14.3 X 9.3 X 6.5mm PACKAGE

FEATURES:

- HCMOS RECTANGULAR OUTPUT
- STRATUM III APPLICATION
- ± 30 ppb STABILITY OVER -40 TO 85°C

APPLICATION:

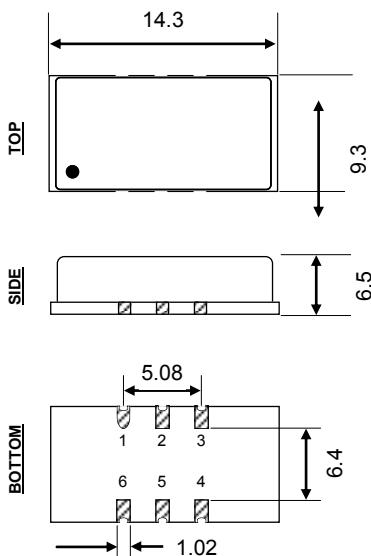
- SDH/SONET, Telecommunication base station
- Test and measurement equipment
- Synthesizer, Digital switch, Reference Timing Circuit



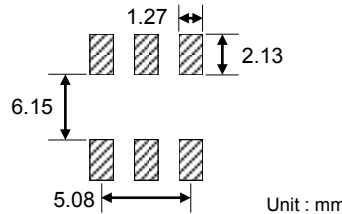
■ SPECIFICATION

PARAMETER		MIN.	TYP.	MAX.	UNIT	NOTE
FREQUENCY RANGE		5.000		40.000	MHz	
FREQUENCY STABILITY	vs. TEMPERATURE RANGE	± 10		± 50	ppb	
	vs. SUPPLY VOLTAGE $\pm 5\%$			± 5	ppb	
	WARM-UP			± 0.1	ppm	
OPERATING TEMPERATURE RANGE		-40		85	$^{\circ}\text{C}$	See P/N guide for other options
STORAGE TEMPERATURE RANGE		-55		125	$^{\circ}\text{C}$	
SUPPLY VOLTAGE $\pm 10\%$		3.3		5.0	V	See P/N guide for other options
SUPPLY CURRENT	DURING WARM-UP			500	mA	
	STEADY STATE AT $\pm 25^{\circ}\text{C}$		0.5	0.6	W	
OUTPUT	LOGIC FAMILY	HCMOS (Rectangular)				
	LOAD		15		pF	
	LEVEL (V_{OH})	2.4			V	
	LEVEL (V_{OL})			0.4	V	
	SYMMETRY (DUTY CYCLE)	45	50	55	%	
	SPURIOUS			-60	dBc	
FREQUENCY DEVIATION		± 5			ppm	See P/N guide for other options
CONTROL VOLTAGE		0	1.65	3.3	V	
SLOPE		Positive				
INPUT IMPEDANCE		100			k Ω	
AGING	DAY			± 2.0	ppb	after 30days @ $25^{\circ}\text{C} \pm 2^{\circ}\text{C}$
	YEAR			± 0.4	ppm	
	10YEAR			± 2.0	ppm	
PHASE NOISE	10Hz		-98	-92	dBc	@ 20MHz, 25°C
	100Hz		-126	-120	dBc	
	1kHz		-145	-140	dBc	
	10kHz		-153	-150	dBc	

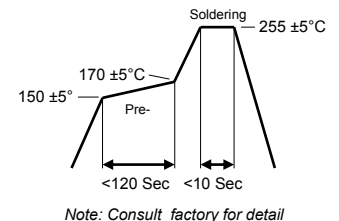
■ PACKAGE DIMENSIONS



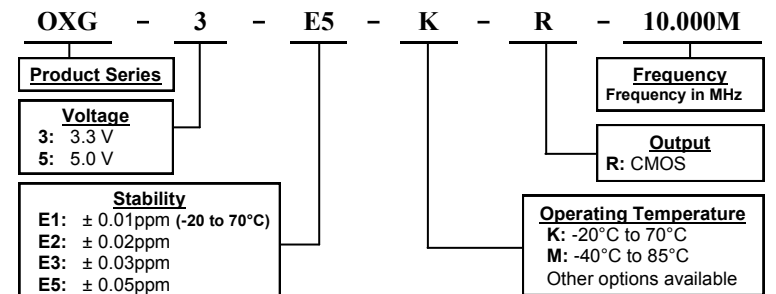
■ SOLDER PATTERN



■ REFLOW PROFILE



■ PART NUMBERING GUIDE



Transko Electronics, Inc reserves the right to make changes to the product (s), service (s), and specification (s) described herein without notice. See "Terms of Sale" for details on our website.