

OCXO 20.8 X 13.2 X 8.3mm 14PIN DIP FULL SIZE
FEATURES:

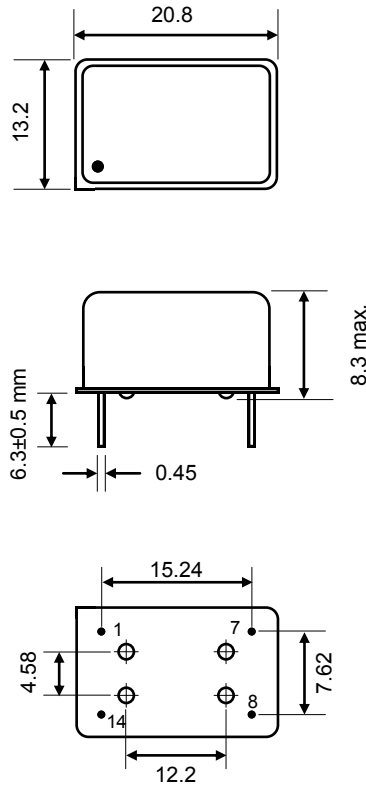
- AT cut
- Low aging, Compact Package
- APPLICATIONS: SDH/SONET, ATM, WLL, Measurement Equipment


■ SPECIFICATION

FREQUENCY RANGE		2 ~ 100MHz	
STANDARD FREQUENCIES		10MHz, 12.8MHz, 20MHz, 38.88MHz, 100MHz	
FREQUENCY TOLERANCE		±0.5ppm (center control voltage)	
FREQ. STABILITY	Vs. OPERATING TEMPERATURE	±100ppb Typical	
	Vs. LOAD (±10%)	±20ppb	
	Vs. SUPPLY VOLTAGE (±5%)	±20ppb	
SHORT TERM STABILITY		1X10 ⁻¹⁰ /s (10MHz)	
OPERATING TEMPERATURE RANGE		0°C ~ +50°C, -20°C ~ +70°C, -40°C ~ +75°C	
STORAGE TEMPERATURE RANGE		-40°C ~ +100°C	
SUPPLY VOLTAGE		+3.3V _{DC} , +5.0V _{DC} , +12.0V _{DC}	
SUPPLY CURRENT		2.0W max. during warm-up, 1.0W max. when static	
WARM-UP TIME		±0.5ppm, 3minutes max.	
OUTPUT	LOGIC FAMILY	Sine Wave	HCMOS/LVCMOS
	LOAD	50Ω	15pF typ., 50pF max. available
	LEVEL	2dBm min.	"1" level: 90%V _{DD} min.; "0" level: 10%V _{DD} max.
	HARMONIC	-25dBm max.	-
	NOISE SUPPRESSION	-75dBm max.	-
	SYMMETRY (DUTY CYCLE)	-	45/55%
	RISE/FALL TIME	-	6ns max.(fn<40MHz), 3ns max.(fn>40MHz)
FREQUENCY DEVIATION		±0.5ppm	
CONTROL VOLTAGE	3.3V	0~3.3V	
	5.0V , 12V	0~5.0V	
SLOPE		Positive	
LINEARITY		±10%	
AGING	1 ST YEAR	±0.5ppm	
	10 YEAR	±3.0ppm	
PHASE NOISE	10Hz	-90dBc/Hz	
	100Hz	-120dBc/Hz	
	1kHz	-145dBc/Hz	
	10kHz	-150dBc/Hz	

Transko Electronics, Inc reserves the right to make changes to the product (s), service (s), and specification (s) described herein without notice. See "Terms of Sale" for details on our website.

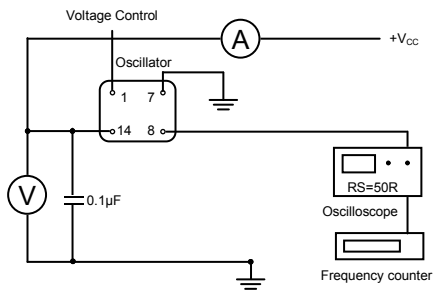
■ PACKAGE DIMENSIONS



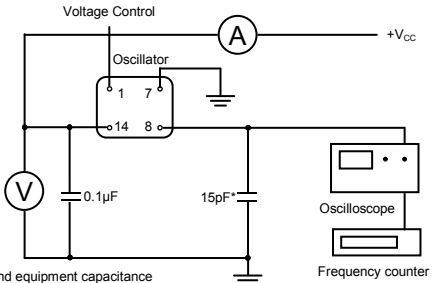
Pin Configuration	
1	V _C
7	GND
8	Output
14	V _{DC}

■ TEST CIRCUIT

Sine Wave



CMOS



* inclusive of jig and equipment capacitance

■ PART NUMBERING GUIDE

OX-F - 5 - E5 - J - R - 10.000M

Voltage

3: +3.3 V
5: +5.0 V
12: +12.0 V

Stability

F2: ±0.002ppm
F5: ±0.005ppm
E1: ± 0.01ppm
E5: ± 0.05ppm
01: ± 0.1ppm
03: ± 0.3ppm
05: ± 0.5ppm
Other options available

Frequency

Frequency in MHz

Output

Q: Sine Wave
R: CMOS/LVCMOS

Operating Temperature

H: 0°C to 50°C
I: -10°C to 60°C
J: -10°C to 70°C
K: -20°C to 70°C
L: -30°C to 70°C
M: -40°C to 75°C
Other options available

Transko Electronics, Inc reserves the right to make changes to the product (s), service (s), and specification (s) described herein without notice. See "Terms of Sale" for details on our website.