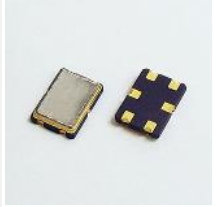


SMD MONOLITHIC CRYSTAL FILTER

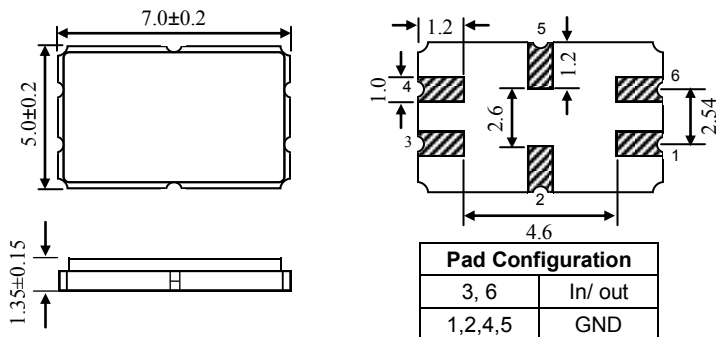
FEATURES:

- THIN AND LIGHT WEIGHT
- EXCELLENT SHOCK AND VIBRATION RESISTANCE
- SUITABLE FOR AUTOMATIC PICK AND PLACE
- CAPABLE OF REFLOW

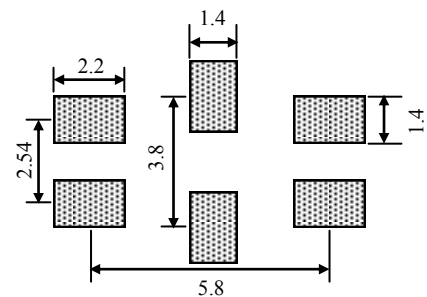


PART NUMBER	NOMINAL FREQUENCY	OSCILLATION MODE	PASS BANDWIDTH		STOP BANDWIDTH		GUARANTEED ATTENUATION		RIPPLE	INSERTION LOSS	TERMINAL IMPEDANCE	OPERATING TEMP. RANGES
	(MHz)		(dB) (kHz)	(dB) (kHz)	(dB) kHz	(dB) kHz	(dB)					
214MT7.5A	21.400	FUND	3	±3.75	20	±18.0	70	-910	1.0	2.0	850//6.0	-30 to +80
214MT15A	21.400	FUND	3	±7.50	18	±25.0	70	-910	1.0	2.0	1500//1.5	-30 to +80
214MT20A	21.400	FUND	3	±10.0	10	±30.0	70	-910	1.0	2.0	1800//1.0	-30 to +80
214MT30A	21.400	FUND	3	±15.0	15	±45.0	70	-910	1.0	2.0	2000//0.5	-30 to +80
216MT15A	21.600	FUND	3	±7.50	15	±25.0	70	-910	1.0	2.0	1500//1.0	-30 to +80
217MT7.5A	21.700	FUND	3	±3.75	15	±12.5	70	-910	1.0	2.0	1200//5.0	-30 to +80
217MT15A	21.700	FUND	3	±7.50	15	±25.0	70	-910	1.0	2.0	1500//1.0	-30 to +80
243MT20A	24.349	FUND	3	±10.0	10	±25.0	70	-910	1.0	2.0	1350//1.5	-30 to +80
245MT20A	24.555	FUND	3	±10.0	10	±25.0	70	-910	1.0	2.0	1350//1.5	-30 to +80
250MT20A	25.000	FUND	3	±10.0	10	±25.0	70	-910	1.0	2.0	1350//1.5	-30 to +80
256MT20A	25.655	FUND	3	±10.0	10	±25.0	70	-910	1.0	2.0	1350//1.5	-30 to +80
271MT19A	27.145	FUND	3	±9.50	25	-455.0	70	-910	1.0	1.5	1500//2.5	-30 to +80
292MT20A	29.250	FUND	3	±10.0	10	±25.0	70	-910	1.0	2.0	1800//1.5	-30 to +80
327MT8A	32.768	FUND	3	±4.00	40	±60.0	60	-910	1.0	2.0	650//4.5	-30 to +80
384MT8A	38.400	FUND	3	±4.00	40	±60.0	65	-910	1.0	2.0	650//4.5	-30 to +80
406MT30A	40.685	FUND	3	±15.0	25	-455.0	70	-910	1.0	1.5	1000//1.0	-30 to +80
442MT11A	44.250	FUND	3	±5.50	15	±22.0	70	-910	1.0	2.0	390//6.0	-30 to +80
450MT7.5A	45.000	FUND	3	±3.75	20	±25.0	70	-910	1.0	2.0	650//3.5	-30 to +80
450MT12A	45.000	FUND	3	±6.00	15	±20.0	70	-910	1.0	2.0	650//5.0	-30 to +80
450MT15A	45.000	FUND	3	±7.50	15	±25.0	70	-910	1.0	2.0	560//6.0	-30 to +80
450MT30A	45.000	FUND	3	±15.0	15	±60.0	70	-910	1.0	2.0	1200//1.8	-30 to +80
489MT15A	48.960	FUND	3	±7.50	15	±25.0	70	-910	1.0	2.0	600//3.0	-30 to +80
490MT20A	49.000	FUND	3	±10.0	15	±40.0	70	-910	1.0	2.5	1100//0	-30 to +80
7005MT20A	70.050	FUND	3	±10.0	25	±75.0	70	-910	1.0	2.5	600//1.5	-30 to +80
733MT10A	73.350	FUND	3	±5.00	20	±25.0	40	-910	1.0	4.0	260//4.4	-30 to +80
900MT15A	90.000	3rd	3	±7.50	10	±25.0	50	-910	1.0	2.0	2000//1.0	-30 to +80
960MT15A	96.000	3rd	3	±7.50	50	±19.2M	70	±38.4M	1.0	3.0	2000//0.5	-30 to +80
100MT7.5A	100.000	3rd	3	±3.75	20	±16.0	65	-910	1.0	3.0	1500//0.3	-30 to +80
109A24A	109.650	3rd	3	±12.0	18	±60.0	65	-910	1.0	2.0	1500//1.4	-30 to +80
109A30A	109.650	3rd	3	±15.0	22	±60.0	65	-910	0.5	2.5	2000//1.3	-30 to +80

■ PACKAGE DIMENSIONS



■ SOLDER PATTERN



Transko Electronics, Inc reserves the right to make changes to the product (s), service (s), and specification (s) described herein without notice. See "Terms of Sale" for details on our website.